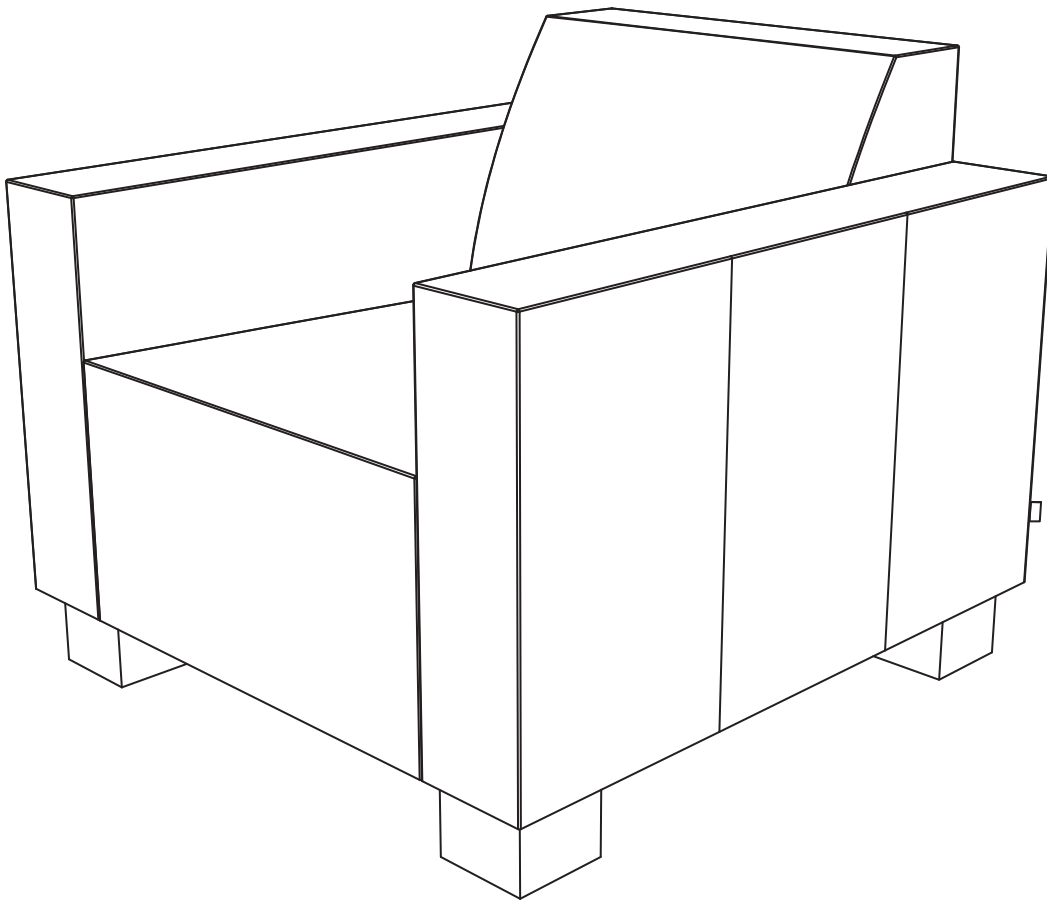


Cabot Chair

Our leathers are chosen to age beautifully and develop a rich natural patina over time. Hides have been carefully selected for their raw natural surface characteristics which make each piece unique.

To help maintain the appearance of your sofa we recommend the leather be dusted with a dry cloth and vacuumed occasionally to remove debris from corners.



Modern
furniture
made
simple.