

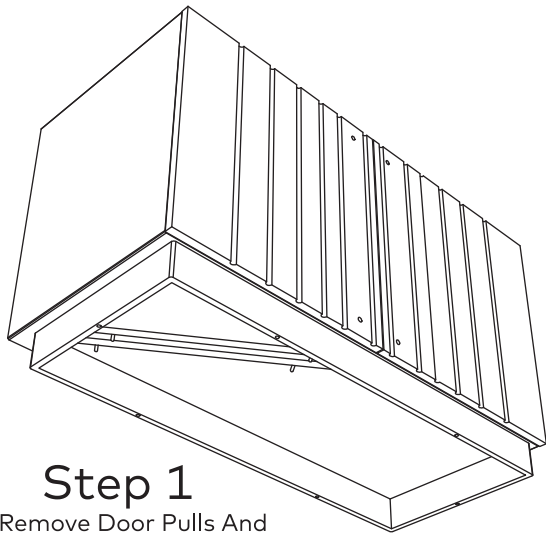
Elora Cabinet

ASSEMBLY INSTRUCTIONS

KEEP ALL PACKAGING MATERIALS UNTIL YOU HAVE VERIFIED ALL COMPONENTS AND PARTS.

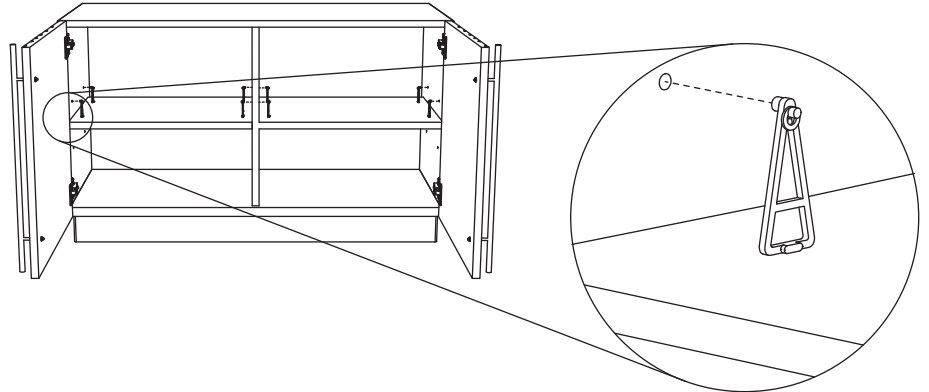
1. Locate and remove door pulls and from the cavity in the cabinet base.
2. Align the door pull stems with the holes in the cabinet doors and fasten into place with the screws provided.
3. Remove plastic clips that hold the shelves in place during transport.

Clean all surfaces with a damp, soft cloth. Do not use abrasive cleaners.

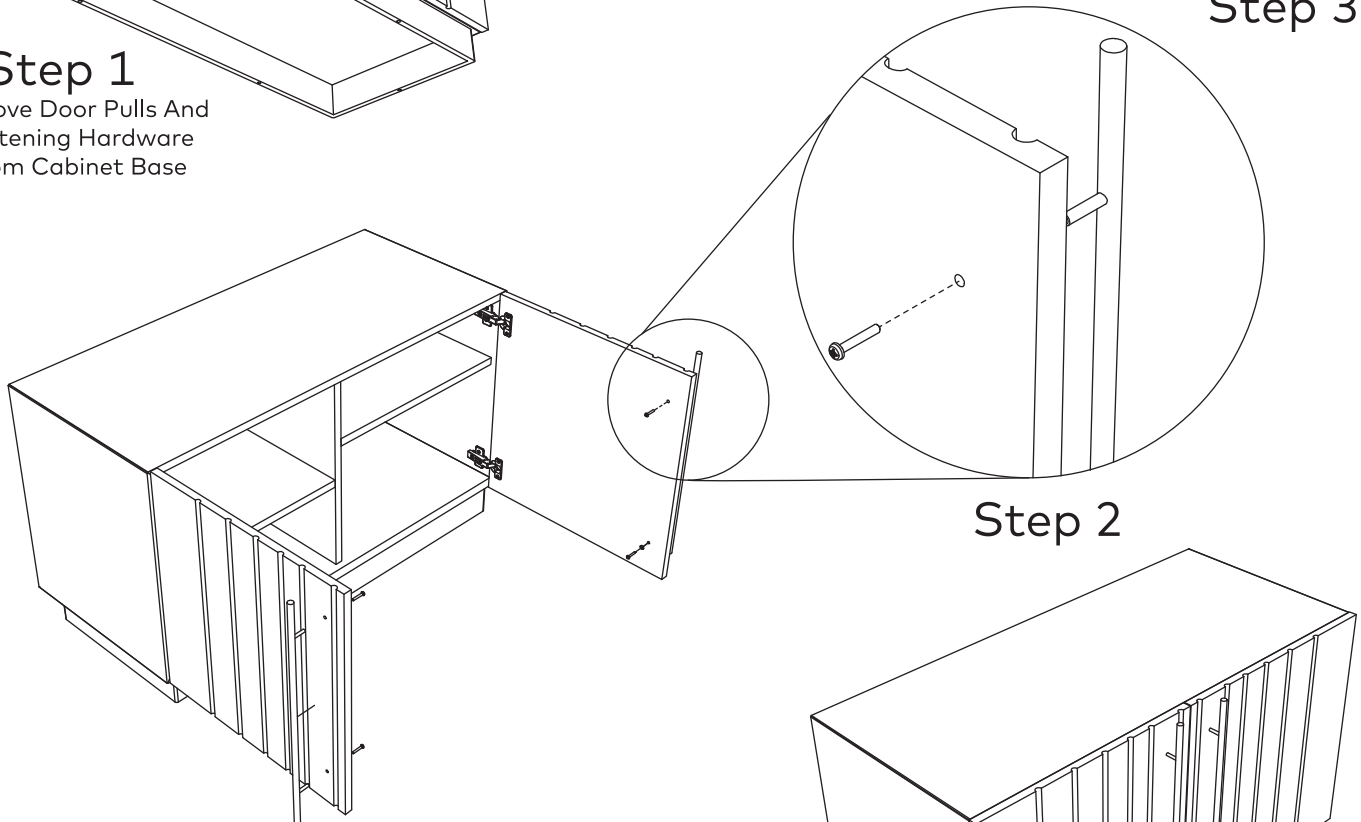


Step 1

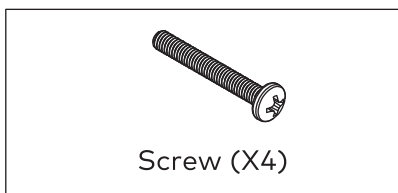
Remove Door Pulls And
Fastening Hardware
From Cabinet Base



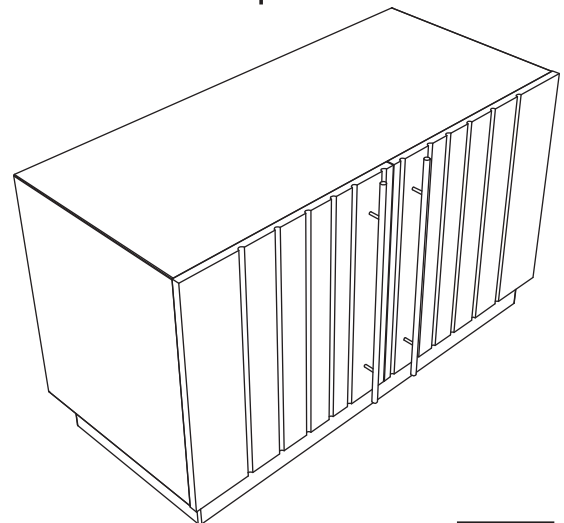
Step 3



Step 2



Screw (X4)



Elora Cabinet



Modern
furniture
made
simple.