

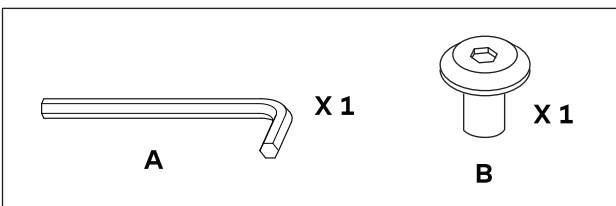
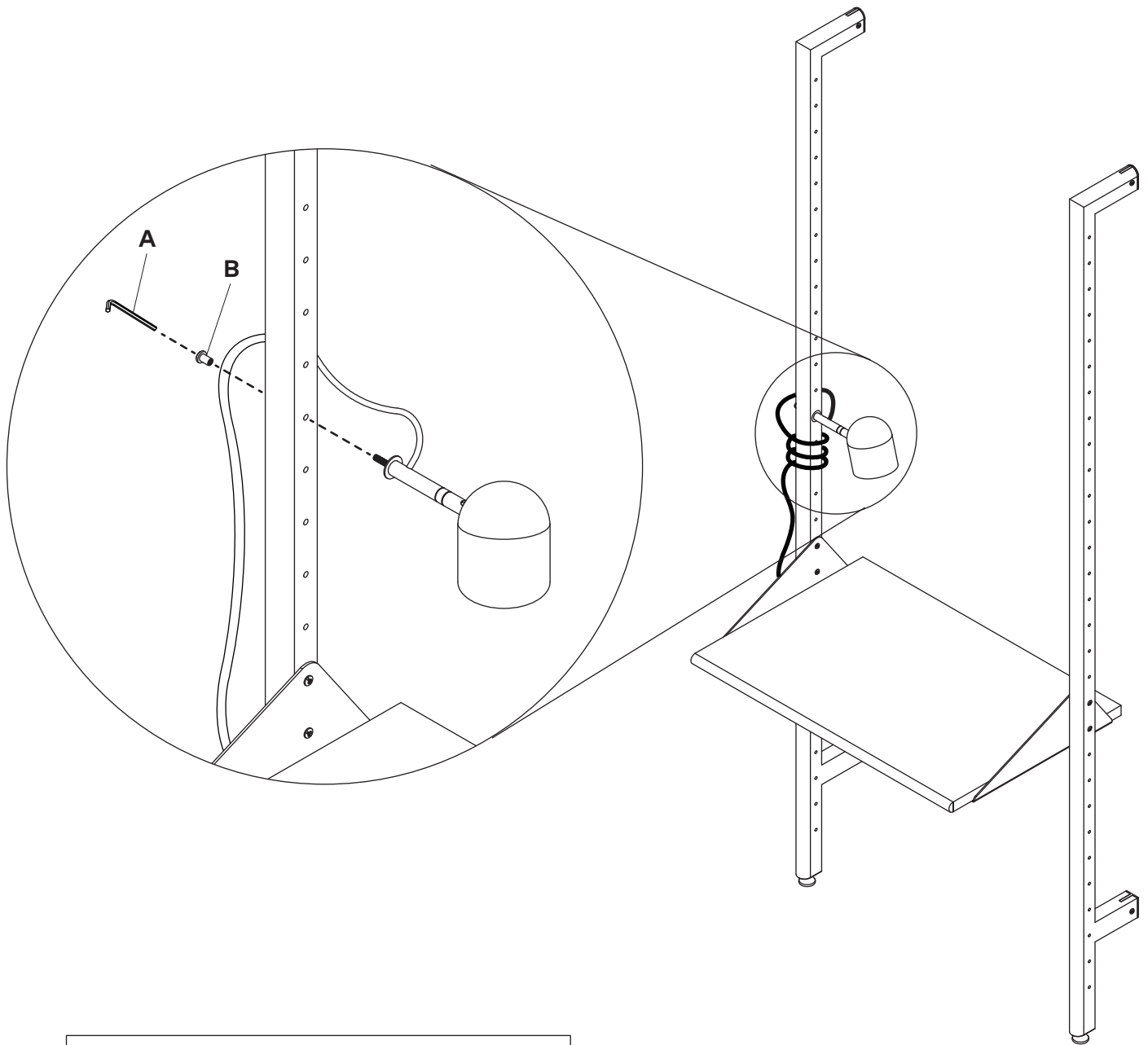
Branch Task Lamp

ASSEMBLY INSTRUCTIONS

KEEP ALL PACKAGING MATERIALS UNTIL YOU HAVE VERIFIED ALL COMPONENTS AND PARTS

1. Determine preferred placement for the task lamp
2. Align the task lamp with the upright hole. Fasten the lamp to upright with hardware provided.
3. Adjust the lamp head to point in the desired direction and plug the lamp into any standard 120v indoor outlet.

To help maintain the appearance of your task lamp we recommend cleaning the surface with a non-bristle, soft dusting brush or microfiber cloth. Do not use abrasive cleaning products. Depending on use, it may be necessary to tighten the screws and hardware periodically to maximize the stability of the task lamp connection to the wood upright.



Modern
furniture
made
simple.