

Bancroft Dining Table



White
Oak



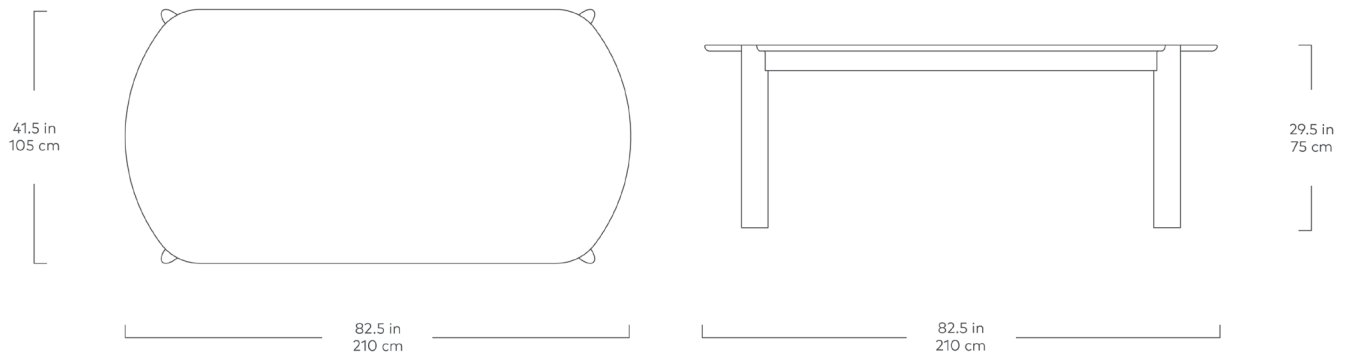
Walnut

We ask a lot of our dining tables. They must be beautiful, purposeful, and—above all—worthy of the moments we share around them. The Bancroft Dining Table lives up to that tall order.

Combining the best of modern and Scandinavian design, it's void of any harsh lines, with subtly curved legs and a gentle oval top that strikes just the right style note. The classically proportioned design boasts room enough for eight, with a wide oak or walnut top perfect for laying out all manner of dinner delicacies. Solid wood construction—finished by hand with a beautiful matte stain—ensures that this heirloom-worthy piece will serve as a gathering place upon which you can create memories for years to come.

Design Trade Professionals: We aim to keep our designs in stock and ready to ship quickly for projects on a tight timeline. Designs may be customized with COM and alternate finishes (minimum quantities may apply). Visit guscontract.com for more information about our Trade & Contract programs.

Bancroft Dining Table



- Sits up to 8 people.
- Rounded tabletop and legs are constructed with solid wood.
- Table is finished in Rubio® Monocoat - a durable, matte, oil-based protector designed to highlight the beauty of natural wood.
- Wood finish is certified 0% VOC and is an all-natural, environmentally friendly product.
- Surface can be revitalized as desired. Visit Rubio® Monocoat website for more information.
- Bumpers on the bottom of legs to protect hardwood floors.
- Assembles easily with provided hardware.
- Wood is a natural material, with variations in grain pattern and colour that make each design unique.
- It is normal for solid wood to expand and shrink as a result of variations in environmental humidity. A consistent humidity level of approximately 50% is recommended to prevent cracks and surface splits.

**VOC
FREE**

Gus*
gusmodern.com