

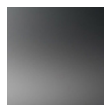
Quarry End Table



SURFACE



Clear
Glass



Smoke
Glass

BASE



Walnut

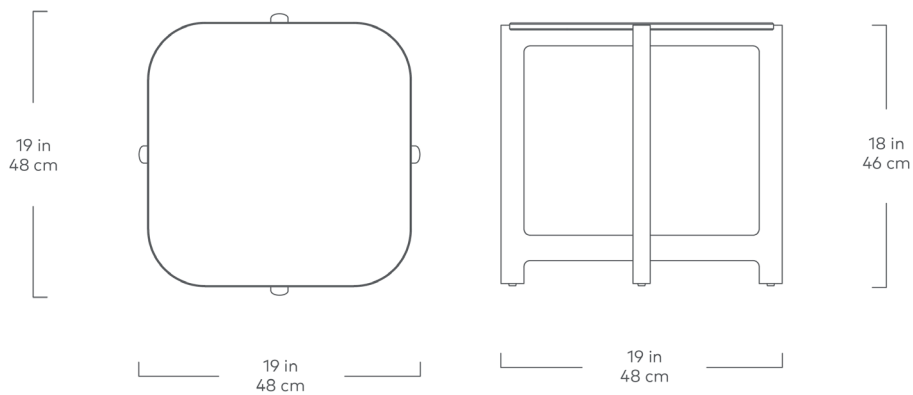


Natural
Ash

The Quarry End Table is a minimalist take on casual sophistication. Contrasting materials reveal the striking combination of glass and wood grain. The glass top has rounded corners to soften the look, and the eye-catching, solid-wood cross base reinforces this aesthetic with rounded edges and elegant joinery details. The Quarry End Table can be displayed alone, or nested with the Square or Rectangular Coffee Table.

Design Trade Professionals: We aim to keep our designs in stock and ready to ship quickly for projects on a tight timeline. Designs may be customized with COM and alternate finishes (minimum quantities may apply). Visit gusmodern.com for more information about our Trade & Contract programs.

Quarry End Table



- Rounded corners on tempered glass tops and beveled frame softens the table edges.
- Natural Ash base is kiln-dried 100% FSC®-Certified hardwood (FSC® 092551) in support of responsible forest management.
- Walnut base is solid walnut.
- Cutouts in the top of the base have rubber bumpers to secure the glass.
- Plastic bumpers on bottom of base to prevent damage to hardwood floors.
- Wood is a natural material, with variations in grain pattern and colour that make each design unique.

