

Harbour Dining Chair, Star Base w/Swivel, Plastic

BY NORM ARCHITECTS

Dining chair with bare shell set on a polished aluminium or black powder coated aluminium star base with swivel.



PRODUCT OPTIONS

PLASTIC SHELL



BLACK

BURNED RED

KHAKI

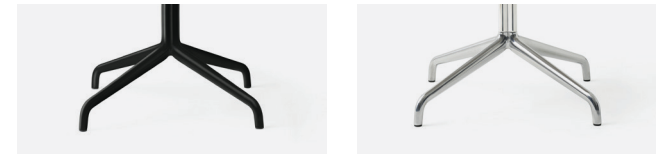


LIGHT GREY

OLIVE

WHITE

STAR BASE



BLACK POWDER COATED ALUMINIUM

POLISHED ALUMINIUM

Harbour Dining Chair, Star Base w/Swivel, Plastic

BY NORM ARCHITECTS

TECHNICAL SPECIFICATIONS

PRODUCT TYPE

Dining chair

COLLI

1

ENVIRONMENT

Indoor

DIMENSIONS

H: 81 cm / 31,9"
SH: 45 cm / 17,7"
AH: 67,5 cm / 26,6"
D: 54,5 cm / 21,46"
W: 58,5 cm / 23"

PRODUCTION PROCESS

The shell is made using injection moulded polypropylene with fibreglass. The star base is die-casted and the column is made of extruded aluminium.

All new Harbour Dining Chairs with a swivel base or swivel with return have been upgraded with QuickClick gliders, as used on all other chairs in our collection.

The chairs are delivered with the plastic gliders attached and come with a bag of supplementary felt castors that allow you to easily switch from plastic to felt.

COLOUR

Shell

Black (RAL 9011)
Burned red (RAL 8015)
Khaki (RAL 1011)
Light grey (RAL 9002)
Olive (RAL 7002)
White (RAL 9016)

Base

Black (RAL 9005)
Polished aluminium

GLOSS

Gloss 10-20

MATERIALS

Shell

85% polypropylene, 15% fibreglass

Star base

Cast, extruded aluminium

WEIGHT

13 kg / 28,7 lb

TEST

EN1022:2005, L2
EN16139:2013, L2

CERTIFICATIONS

Declare.

PACKAGING TYPE

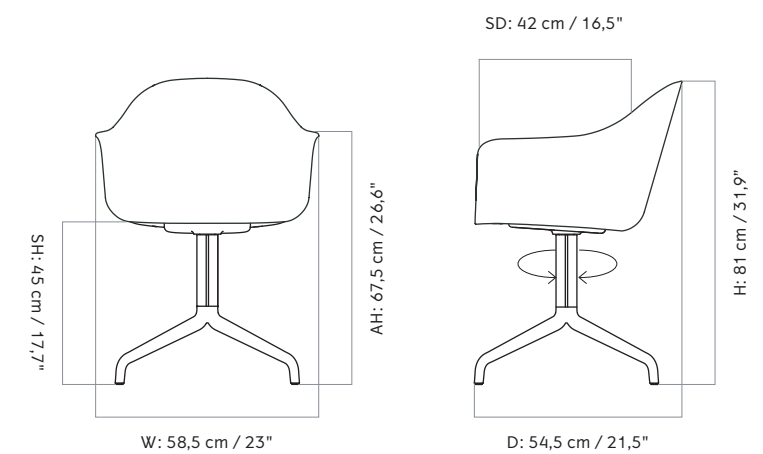
Brown box

PACKAGING MEASUREMENTS (H x W x D)

86 cm x 62 cm x 65 cm / 34" x 24,4" x 25,6"

MATERIALS & MAINTENANCE

Please visit menuspace.com for materials, care and maintenance instructions.



Harbour Dining Chair, Star Base, w/Casters, Plastic

BY NORM ARCHITECTS

Dining chair with bare shell set on a polished aluminium or black powder coated aluminium star base with casters.



PRODUCT OPTIONS

PLASTIC SHELL



BLACK

BURNED RED

KHAKI

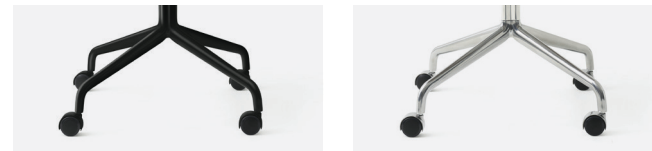


LIGHT GREY

OLIVE

WHITE

STAR BASE WITH CASTERS



BLACK POWDER COATED ALUMINIUM

POLISHED ALUMINIUM

Harbour Dining Chair, Star Base, w/Casters, Plastic

BY NORM ARCHITECTS

TECHNICAL SPECIFICATIONS

PRODUCT TYPE

Dining chair

COLLI

1

ENVIRONMENT

Indoor

DIMENSIONS

H: 82 cm / 32,3"
SH: 45 cm / 17,7"
AH: 67,5 cm / 26,6"
D: 54,5 cm / 21,46"
W: 58,5 cm / 23"

PRODUCTION PROCESS

The shell is made using injection moulded polypropylene with fibreglass. The star base is die-cast aluminium and the column is made of extruded aluminium.

COLOUR

Shell

Black (RAL 9011)
Burned red (RAL 8015)
Khaki (RAL 1011)
Light grey (RAL 9002)
Olive (RAL 7002)
White (RAL 9016)

Base

Black (RAL 9005)
Polished aluminium

GLOSS

Gloss 10-20

MATERIALS

Shell

85% polypropylene, 15% fibreglass

Star base

Cast, extruded aluminium

Casters for powder coated base

PA6, PUR

Casters for polished aluminium base

Aluminium, PA6, PUR

WEIGHT

14 kg / 30,9 lb

TEST

N / A

CERTIFICATIONS

Declare.

PACKAGING TYPE

Brown box

PACKAGING MEASUREMENTS (H x W x D)

86 cm x 62 cm x 65 cm / 34" x 24,4" x 25,6"

MATERIALS & MAINTENANCE

Please visit menuspace.com for materials, care and maintenance instructions.

