

# Munro Vitrine

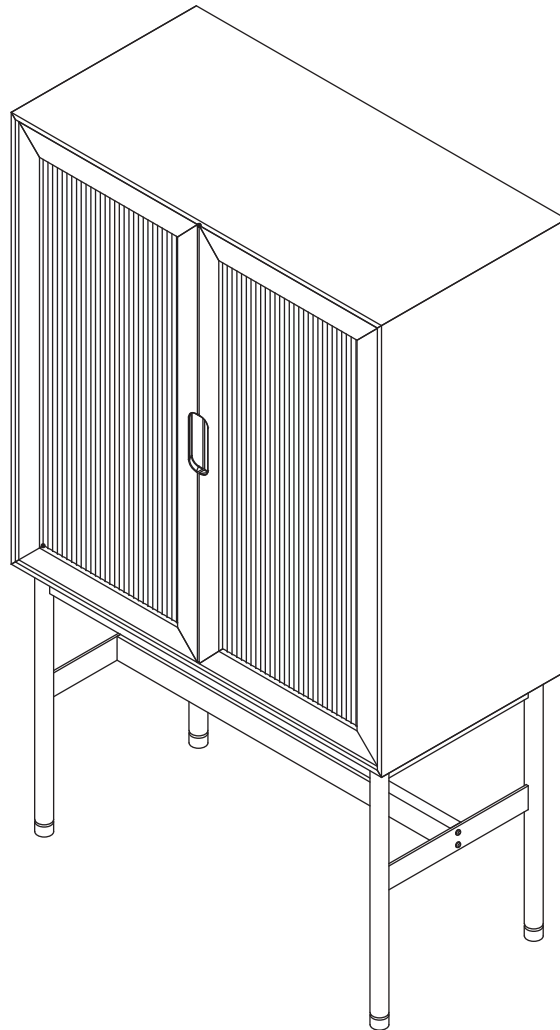
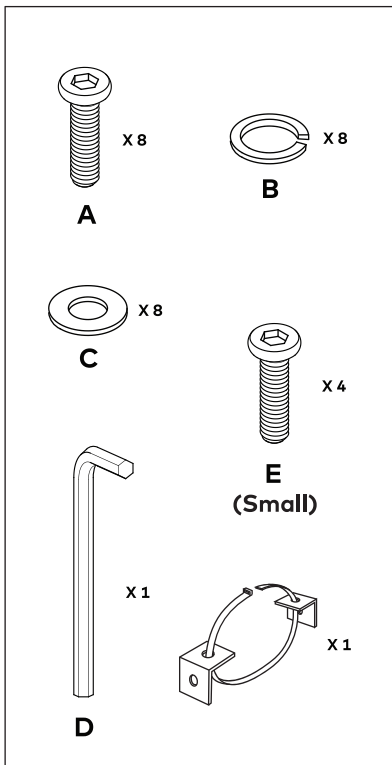
## ASSEMBLY INSTRUCTIONS

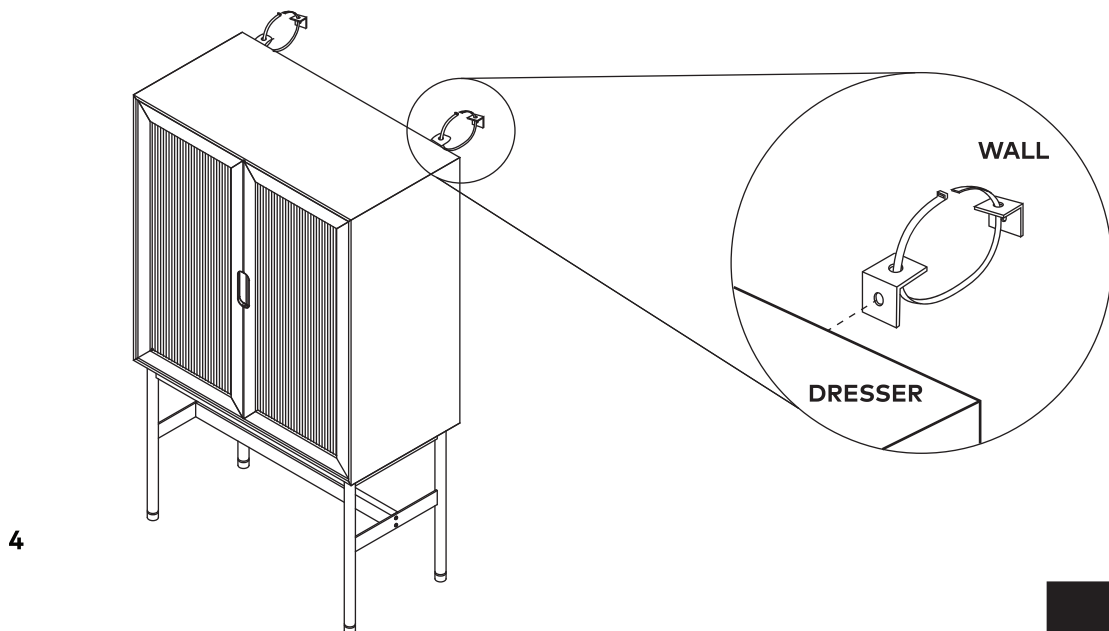
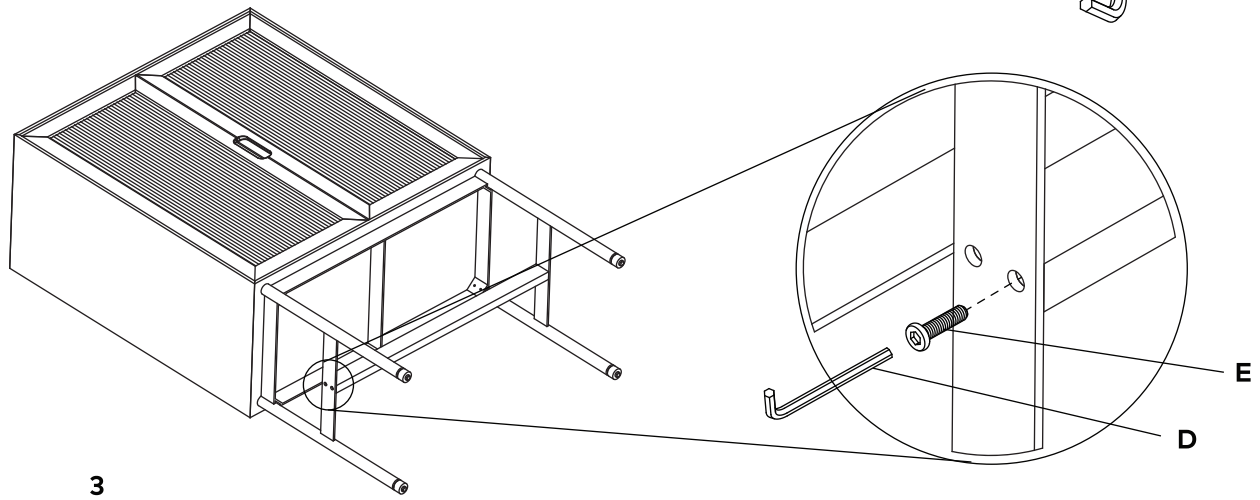
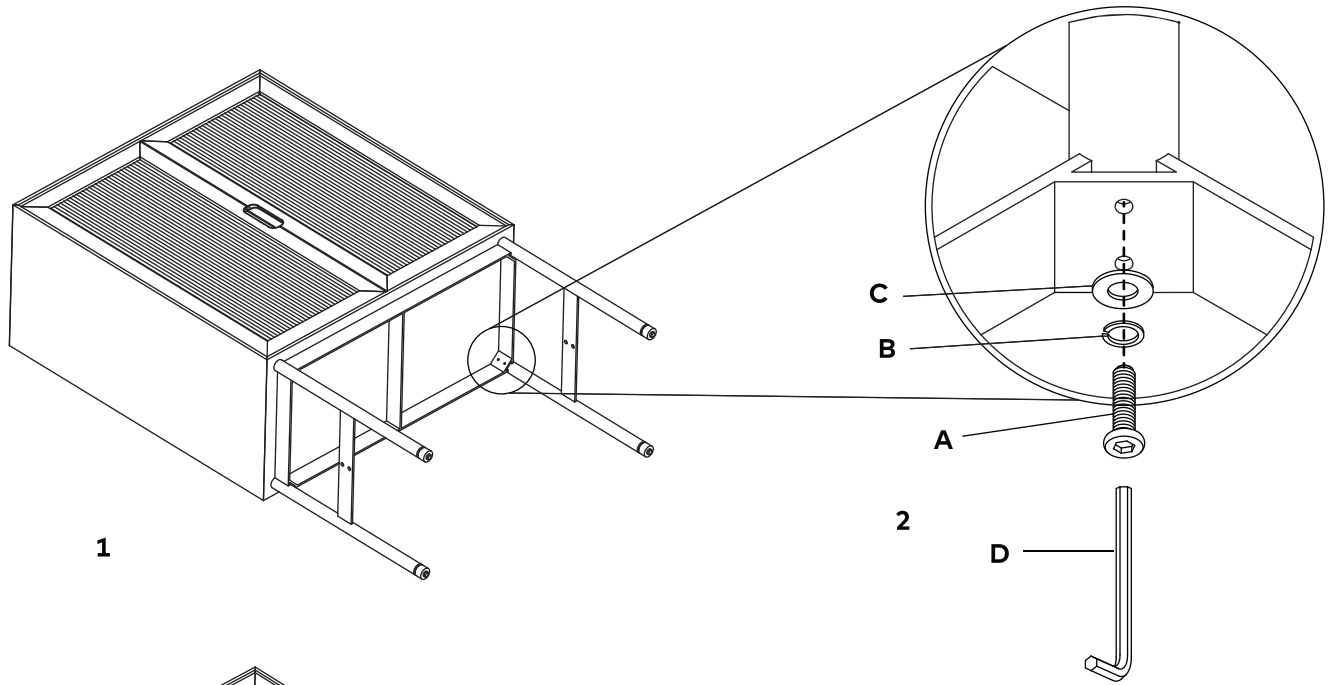
**KEEP ALL PACKAGING MATERIALS UNTIL YOU HAVE VERIFIED ALL COMPONENTS AND PARTS**

1. Carefully place the unit on its back, ensuring that it will not get damaged.
2. Bolt the legs to the corners of the metal skirt by lining up the holes and using the hardware provided in the order shown below. Tighten with the provided Allen wrench **D**.
3. Install the cross bar between the 2 legs as shown and tighten with Allen wrench **D**.
4. Install the anti-tip hardware to secure the unit to the wall.

**Clean all surfaces with a damp, soft cloth. Do not use abrasive cleaners.**

**DEPENDING ON USE, IT MAY BE NECESSARY TO TIGHTEN THE SCREWS PERIODICALLY TO MAXIMIZE THE STABILITY OF THE DRESSER**





# Wood Care - Rubio Monocoat

Select designs feature wood that is finished with Rubio Monocoat - an environmentally friendly, oil-based protector designed to highlight the beauty of natural wood. These designs require special care to ensure they maintain their appearance. Please read and follow the directions below.

## Shrinking, Cracking, Warping:

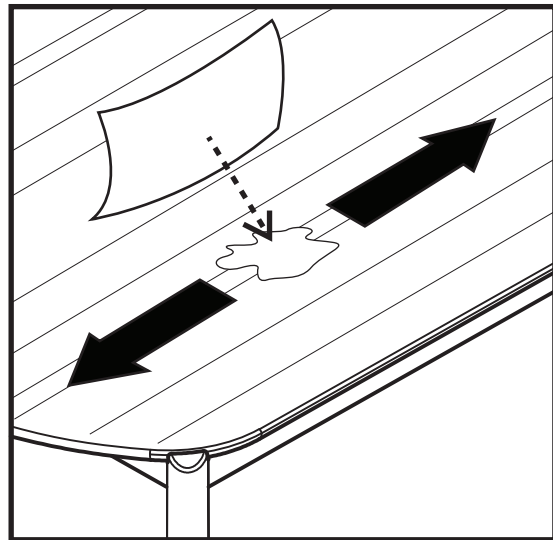
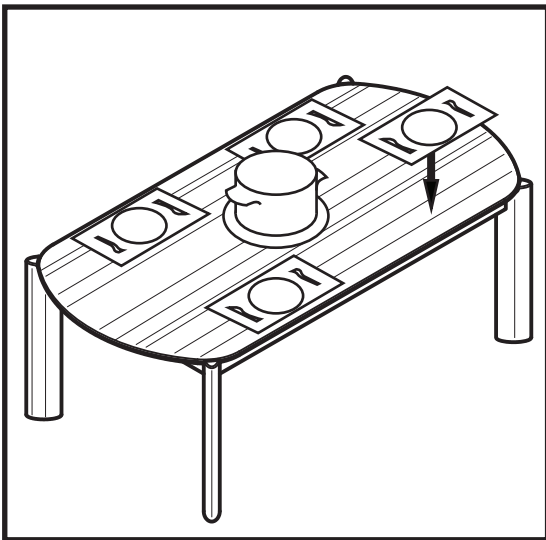
Wood is very susceptible to changes in the humidity of its environment, which causes it to expand and shrink. Climate control will minimize this. A level of 40%-55% humidity with an ideal temperature of 70-72 degrees Fahrenheit should be maintained.

## Preventative Measures:

Oil finished, wood products are naturally porous, which means placemats and/or tablecloths must be used whenever possible to preserve the look and feel of the wood surface. Spills must be cleaned immediately to prevent discoloration and/or permanent damage.

## Cleaning:

Only use cold water and a soft microfiber cloth to clean food, dust or spills. Wipe in the direction of the wood grain. **Do not use abrasive cleaning products. Do not use household cleaning products that contain degreasers as they remove the finish from the wood over time.**



## Temperature:

Do not put any extremely hot or cold food items/beverages in direct contact with the wood surface as this may cause marking or damage to the finish.

## Sunlight:

Ensure that your table is not exposed to direct sunlight for extended periods of time. This may cause discoloration as well as shrinking and cracking as the surface temperature changes throughout the day.

