



PRODUCT SHEET

**Co Dining Chair, Upholstered**  
*by Norm Architects & Els Van Hoorebeek*



## Co Dining Chair, Seat Upholstered

BY NORM ARCHITECTS & ELS VAN HOOREBEECK

Chair with black powder coated or chromed steel base with curved wood backrest in natural, dark stained or black oak. With upholstery seat.



### PRODUCT OPTIONS

#### BACKREST



NATURAL OAK



DARK STAINED OAK



BLACK OAK

#### STEEL BASE



BLACK POWDER COATED STEEL



CHROMED STEEL

#### SPEC OPTIONS

Available in fabrics from our upholstery programme. Standard lead times apply.

For custom upholstery, please refer to the guiding textile/leather consumption:

COM: 0,59 m / 0,649 yds

COL: 0,48 m<sup>2</sup> / 5,1696 sqft

Prices excl. custom upholstery are equal to Price Category 1 Textile or Leather. Contact Sales support for approval of custom upholstery and to place your order.

The above textile consumption is only valid for textile rolls with a width equal to or greater than 140 cm. For smaller textile rolls, please contact Sales Support for guidance. For textile with pattern, please expect a higher usage for correct pattern fitting. Please contact Sales Support for guidance.



## Co Dining Chair, Seat Upholstered

BY NORM ARCHITECTS & ELS VAN HOOREBEECK

### TECHNICAL SPECIFICATIONS

#### PRODUCT TYPE

Dining chair

#### COLLI

1

#### ENVIRONMENT

Indoor

#### DIMENSIONS

H: 80 cm / 31,5"

SH: 45 cm / 17,7"

D: 50,5 cm / 19,9"

W: 52 cm / 20,5"

#### PRODUCTION PROCESS

Seat, backrest and armrests are made of curved plywood. Shell is CNC-milled in a 5-axis CNC machine. The core is made of beech veneer with an outer layer of oak veneer. Double layer foam is used on upholstered seats for added comfort.

The base is made of bent, MIG+TIG-welded steel tubes and armrests from steel rods. The base is powder coated or chromed.

#### COLOUR

##### Backrest

Natural oak  
Dark stained oak  
Black oak

##### Seat with upholstery

Dependent upon selected upholstery

##### Base

Black (RAL 9005)  
Chrome

#### GLOSS

Gloss 10-20

#### MATERIALS

##### Backrest

Natural oak veneer with matte lacquer; dark stained oak; wax stained or black painted oak; beech core.

##### Seat with upholstery

Beech plywood, CAL117 foam (20mm 45N / 40 kg and 10mm 32N / 40 kg), upholstery.

##### Base

Powder coated or chromed steel

#### WEIGHT

8,5 kg / 18,7 lb

#### TEST

EN1022:2005, L2  
EN16139:2013, L2

#### CERTIFICATIONS

Veneered variants: VKF classification (BKZ): 5.3 / RF2  
Crafted from FSC certified veneer

#### Declare.

\*The Declare label and LBC-approved accreditation only applies to the following upholstery: MENU Bouclé 02.

#### PACKAGING TYPE

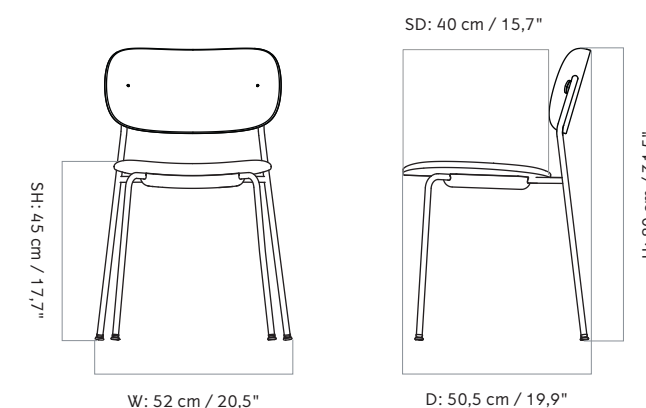
Brown box

#### PACKAGING MEASUREMENTS (H x W x D)

86 cm x 53 cm x 58 cm / 33,9" x 20,9" x 22,8"

#### MATERIALS & MAINTENANCE

Please visit [menuspace.com](https://www.menuspace.com) for materials, care and maintenance instructions.





## Co Dining Chair, Fully Upholstered

BY NORM ARCHITECTS & ELS VAN HOOREBEECK

The Co Dining Chair Collection pairs a lightweight, sleek profile with great seating comfort. Available with or without armrests in three wood versions, the versatile design of the fully upholstered Co Dining Chair is set on a black powder coated steel or chrome base. The seat and backrest are lightly padded and fully upholstered for extra comfort, customisable in a range of beautiful fabrics and leathers.



### PRODUCT OPTIONS

#### SEAT AND BACKREST



UPHOLSTERED

#### STEEL BASE



BLACK POWDER COATED STEEL



CHROMED STEEL

#### SPEC OPTIONS

Available in fabrics from our upholstery programme. Standard lead times apply.

For custom upholstery, please refer to the guiding textile/leather consumption:

COM: 0,74 m / 0,814 yds

COL: 1,21 m<sup>2</sup> / 13,0317 sqft

Prices excl. custom upholstery are equal to Price Category 1 Textile or Leather. Contact Sales support for approval of custom upholstery and to place your order.

The above textile consumption is only valid for textile rolls with a width equal to or greater than 140 cm. For smaller textile rolls, please contact Sales Support for guidance. For textile with pattern, please expect a higher usage for correct pattern fitting. Please contact Sales Support for guidance.



## Co Dining Chair, Fully Upholstered

BY NORM ARCHITECTS & ELS VAN HOOREBEECK

### TECHNICAL SPECIFICATIONS

#### PRODUCT TYPE

Dining chair

#### COLLI

1

#### ENVIRONMENT

Indoor

#### DIMENSIONS

H: 80 cm / 31,5"

SH: 45 cm / 17,7"

D: 50,5 cm / 19,9"

W: 52 cm / 20,5"

#### PRODUCTION PROCESS

Seat, backrest and armrests are made of curved plywood. Shell is CNC-milled in a 5-axis CNC machine. The core is made of beech veneer with an outer layer of oak veneer. Double layer foam is used on upholstered seat and backrest for added comfort.

The base is made of bent, MIG+TIG-welded 16 mm steel tube. The base is powder coated or chromed.

#### COLOUR

**Seat and backrest with upholstery**  
Dependent upon selected upholstery

#### Base

Black (RAL 9005)  
Chrome

#### GLOSS

#### Base

10-20 (black)

#### MATERIALS

#### Base

Powder coated or chromed steel

#### Seat and backrest with upholstery

Beech, curved plywood, CAL117 foam (20mm 45N / 40 kg and 10 mm 32N / 40 kg), upholstery.

#### WEIGHT

5,8 kg / 12,8 lb

#### TEST

EN1022:2005, L2  
EN16139:2013, L2

#### CERTIFICATIONS

Crafted from FSC certified veneer

#### Declare.

\*The Declare label and LBC-approved accreditation only applies to the following upholstery: MENU Bouclé 02.

#### PACKAGING TYPE

Brown box

#### PACKAGING MEASUREMENTS (H x W x D)

86 cm x 53 cm x 58 cm / 33,9" x 20,9" x 22,8"

#### MATERIALS & MAINTENANCE

Please visit [menuspace.com](https://www.menuspace.com) for materials, care and maintenance instructions.

