



PRODUCT SHEET

Harbour Side Bar Chair
by Norm Architects



Harbour Side Bar Chair, Plastic

BY NORM ARCHITECTS

Bar chair with bare shell set on a powder coated steel base with footrest.



PRODUCT OPTIONS

PLASTIC SHELL



BLACK

BURNED RED

KHAKI



LIGHT GREY

OLIVE

WHITE

POWDER COATED STEEL BASE



BLACK STEEL



Harbour Side Bar Chair, Plastic

BY NORM ARCHITECTS

TECHNICAL SPECIFICATIONS

PRODUCT TYPE

Counter and bar chair

COLLI

1

ENVIRONMENT

Indoor

DIMENSIONS

H: 112 cm / 44"

SH: 75 cm / 29,5"

D: 55,5 cm / 21,9"

W: 52,5 cm / 20,5"

PRODUCTION PROCESS

The shell is made from injection-moulded polypropylene with fibreglass. Steel bases are made of bent powder coated steel tubes with a MIG-welded footrest.

COLOUR

Shell

Black (RAL 9011)
Burned red (RAL 8015)
Khaki (RAL 1011)
Light grey (RAL 9002)
Olive (RAL 7002)
White (RAL 9016)

Base

Black (RAL 9005)

GLOSS

Gloss 10-20

MATERIALS

Shell

85% polypropylene, 15% fibreglass

Base

Powder coated steel

WEIGHT

14 kg / 30,9 lb

TEST

EN1022:2005, L2
EN16139:2013, L2

CERTIFICATIONS

FSC certified

Declare.

PACKAGING TYPE

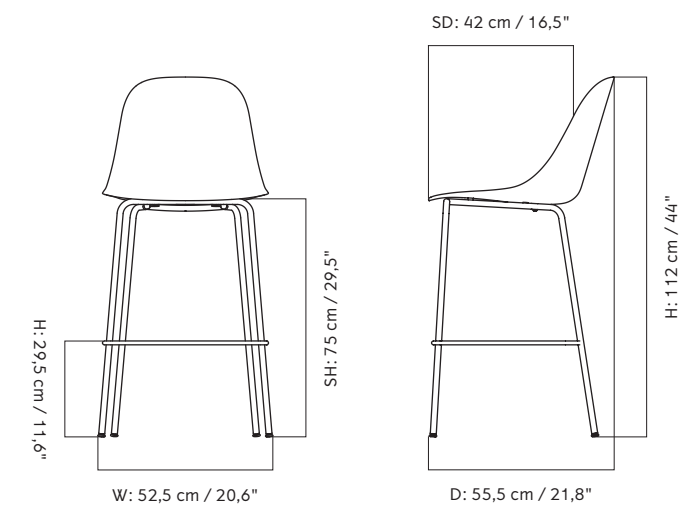
Brown box

PACKAGING MEASUREMENTS (H x W x D)

114 cm x 65 cm x 62 cm / 44,9" x 25,6" x 24,4"

MATERIALS & MAINTENANCE

Please visit [menuspace.com](https://www.menuspace.com) for materials, care and maintenance instructions.





Harbour Side Bar Chair, Upholstered

BY NORM ARCHITECTS

Bar chair with upholstered shell set on a powder coated steel base with footrest. All Harbour chairs have been upgraded with extra foam in the seat for better sitting comfort, increasing from 15 mm in thickness to 25 mm.



PRODUCT OPTIONS

SHELL



WITH UPHOLSTERY

POWDER COATED STEEL BASE



BLACK STEEL

SPEC OPTIONS

Available in fabrics from our upholstery programme. Standard lead times apply.

For custom upholstery, please refer to the guiding textile/leather consumption:

COM: 1,27 m / 1,397 yds

COL: 2 m² / 21,54 sqft

Prices excl. custom upholstery are equal to Price Category 1 Textile or Leather. Contact Sales support for approval of custom upholstery and to place your order.

The above textile consumption is only valid for textile rolls with a width equal to or greater than 140 cm. For smaller textile rolls, please contact Sales Support for guidance. For textile with pattern, please expect a higher usage for correct pattern fitting. Please contact Sales Support for guidance.



Harbour Side Bar Chair, Upholstered

BY NORM ARCHITECTS

TECHNICAL SPECIFICATIONS

PRODUCT TYPE

Counter and bar chair

COLLI

1

ENVIRONMENT

Indoor

DIMENSIONS

H: 112 cm / 44"

SH: 75 cm / 29,5"

D: 55,5 cm / 21,9"

W: 52,5 cm / 20,5"

PRODUCTION PROCESS

The shell is made from injection-moulded polypropylene with fibreglass. Steel bases are made of bent powder coated steel tubes with a MIG-welded footrest.

COLOUR

Shell with upholstery

Dependent upon selected upholstery

Base

Black (RAL 9005)

GLOSS

Gloss 10-20

MATERIALS

Shell

85% polypropylene, 15% fibreglass

Upholstered shell foam

CAL117 50 kg / 50N and 40 kg / 60N

Base

Powder coated steel

WEIGHT

14 kg / 30,9 lb

TEST

EN1022:2005, L2

EN16139:2013, L2

CERTIFICATIONS

FSC certified

Declare.

*The Declare label and LBC-approved accreditation only applies to the following upholstery: MENU Bouclé 02.

PACKAGING TYPE

Brown box

PACKAGING MEASUREMENTS (H x W x D)

114 cm x 65 cm x 62 cm / 44,9" x 25,6" x 24,4"

MATERIALS & MAINTENANCE

Please visit [menuspace.com](https://www.menuspace.com) for materials, care and maintenance instructions.

