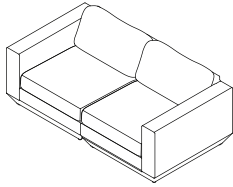
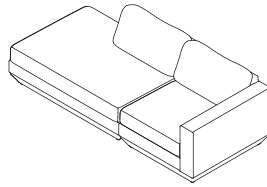


Podium Modular Series

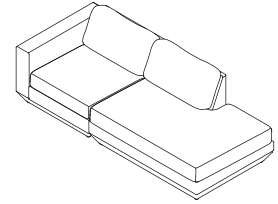
SELECT CONFIGURATIONS



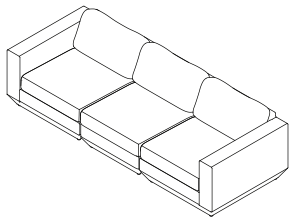
2 PC Sofa



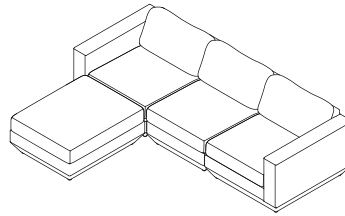
2 PC Left Lounge Sofa



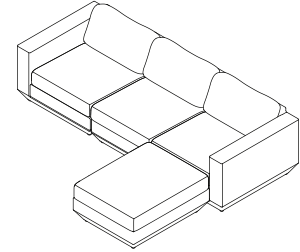
2 PC Right Lounge Sofa



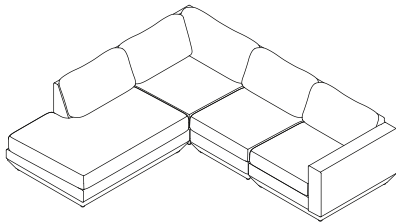
3 PC Sofa



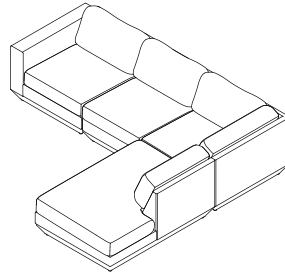
4 PC Sectional (Left Facing)



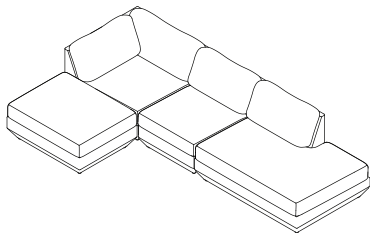
4 PC Sectional (Right Facing)



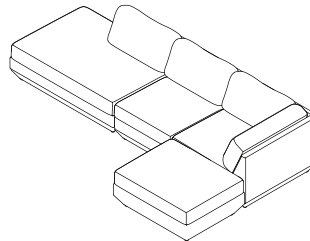
4 PC Lounge Sectional A (Left Facing)



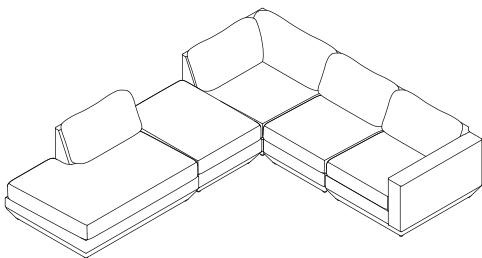
4 PC Lounge Sectional A (Right Facing)



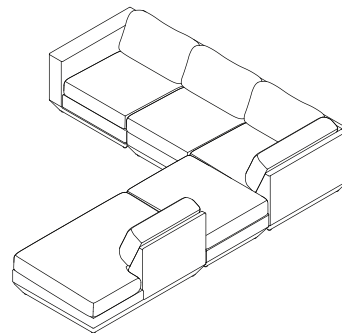
4 PC Lounge Sectional B (Left Facing)



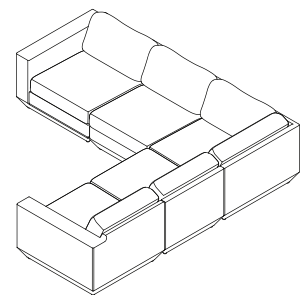
4 PC Lounge Sectional B (Right Facing)



5 PC Seating Group A (Left Facing)



5 PC Seating Group A (Right Facing)



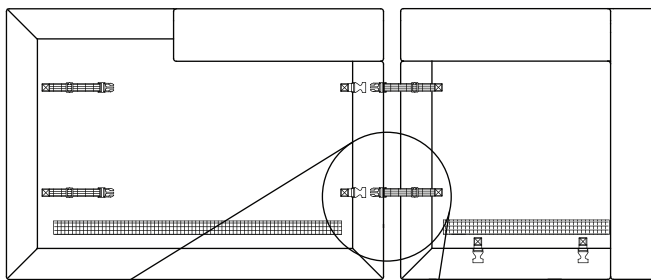
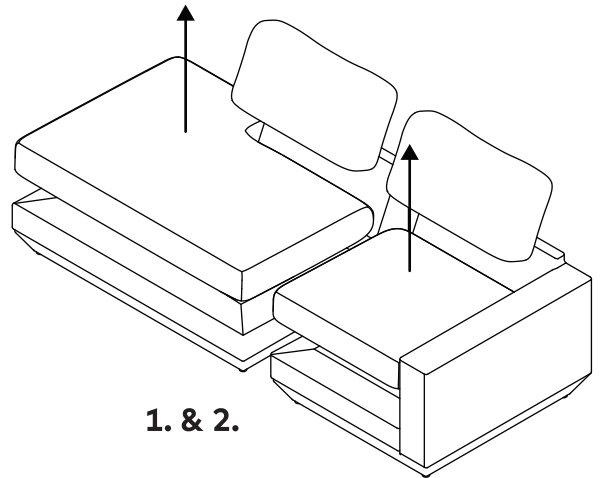
5 PC Corner Sectional

Podium Modular Series

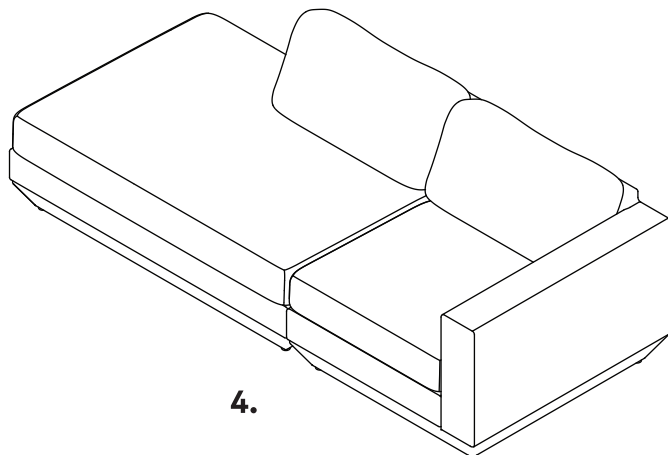
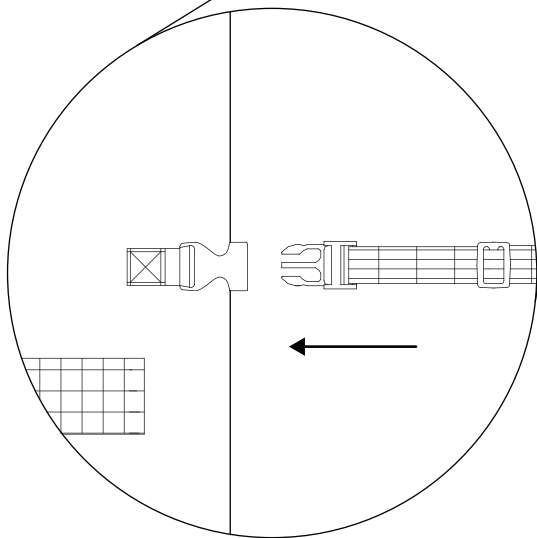
ASSEMBLY INSTRUCTIONS

KEEP ALL PACKAGING MATERIALS UNTIL YOU HAVE VERIFIED ALL COMPONENTS AND PARTS.

1. Position the Podium Modular components in your desired configuration and location.
2. Remove the seat cushions to reveal pre-attached buckle strap connectors.
3. To join adjacent components, attach the male and female connectors. Gently pull the straps to tighten.
4. Place seat cushions back onto the Podium components.



3.



4.