

Porter End Table

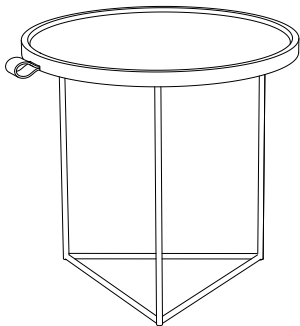
The Porter End Table is made of solid wood. All wood components have distinct grain patterns, making each piece of furniture unique. We recommend cleaning the wood with a damp, soft cloth. **Do not use abrasive cleaning products.**

Preventative Measures:

Make sure the Porter End Table is not exposed to direct sunlight for a long period of time. Do not put any extremely hot or cold food items/beverages in direct contact with the wood surface as this may cause marking or damage to the finish. Spills must be cleaned immediately or this may cause discoloration to the wood and may cause permanent damage.

Shrinking, Cracking, Warping:

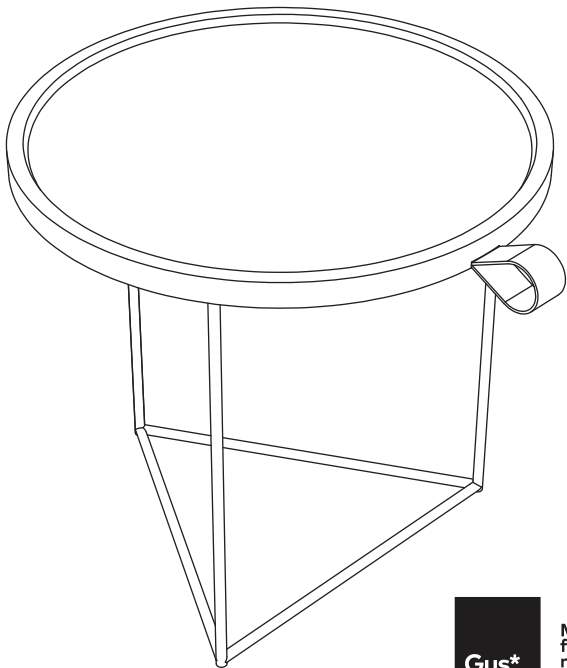
Keeping the humidity at an even level throughout the year will prolong the life of your table. Wood is very susceptible to changes in the humidity of its environment, which causes it to expand and shrink. Climate control will minimize this. A level of 40%-55% humidity with an ideal temperature of 70-72 degrees Fahrenheit should be maintained.



Modern
furniture
made
simple.

Porter End Table

To help maintain the appearance of your table, we recommend cleaning the wood surfaces and steel base with a damp, soft cloth. Do not use abrasive cleaning products.



Modern
furniture
made
simple.