

Transit Bench

ASSEMBLY INSTRUCTIONS

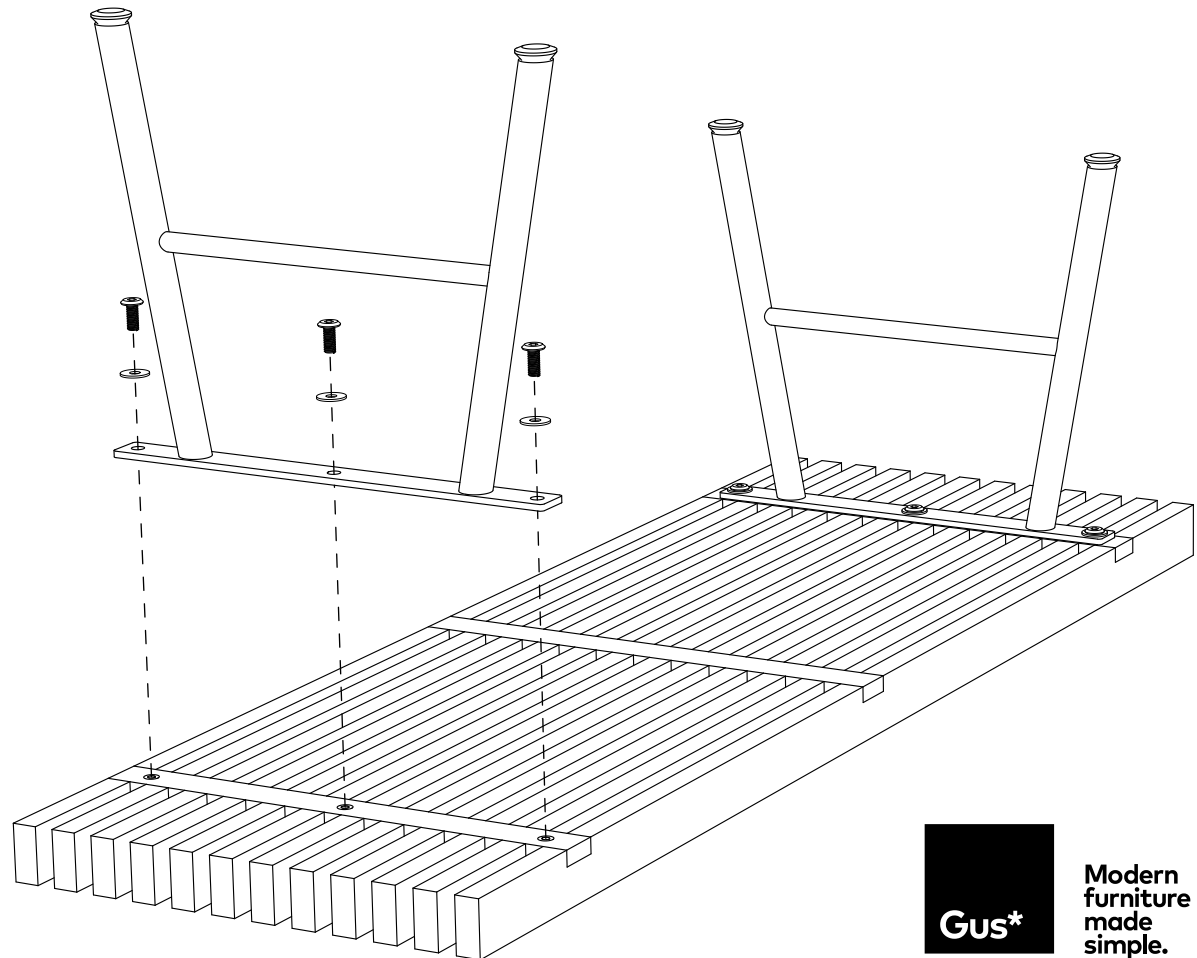
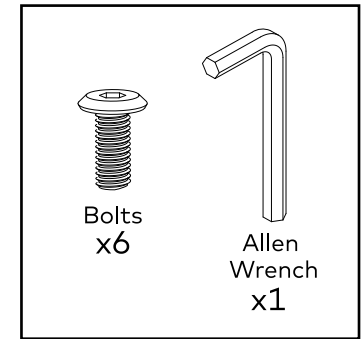
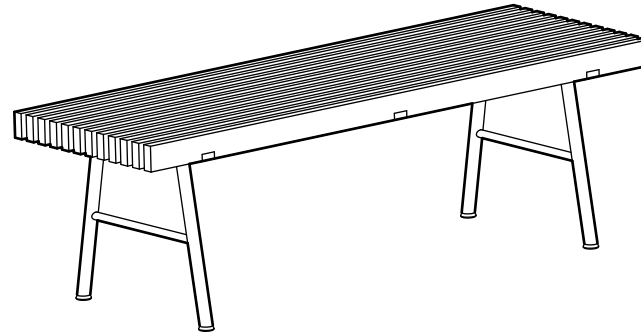
**KEEP ALL PACKAGING MATERIALS
UNTIL YOU HAVE VERIFIED ALL
COMPONENTS AND PARTS**

1. Lay top face down on a soft, clean surface.
2. Attach one leg assembly at a time.
3. Align holes in the first leg assembly with the corresponding holes on the underside of the bench top.
4. Place 3 bolts in holes and hand tighten.
5. Use the provided Allen Wrench to finish tightening the bolts. Do not over-tighten.
6. Repeat steps 3-5 with the other leg assembly.
7. Carefully flip the entire bench onto its feet.

**DEPENDING ON USE, IT MAY BE
NECESSARY TO TIGHTEN THE BOLTS
PERIODICALLY TO MAXIMIZE THE
STABILITY OF THE THE BENCH.**

CARE & CLEANING

The Transit Bench has a solid wood top and powder coated steel legs. We recommend cleaning the bench top with a damp, soft cloth. The legs can be polished with a soft cloth and gentle cleaner. Do not use abrasive cleaning products.



**Modern
furniture
made
simple.**