



GENERAL PRODUCT INFORMATION:

This fixture is intended to be installed utilizing NEC compliant junction boxes.

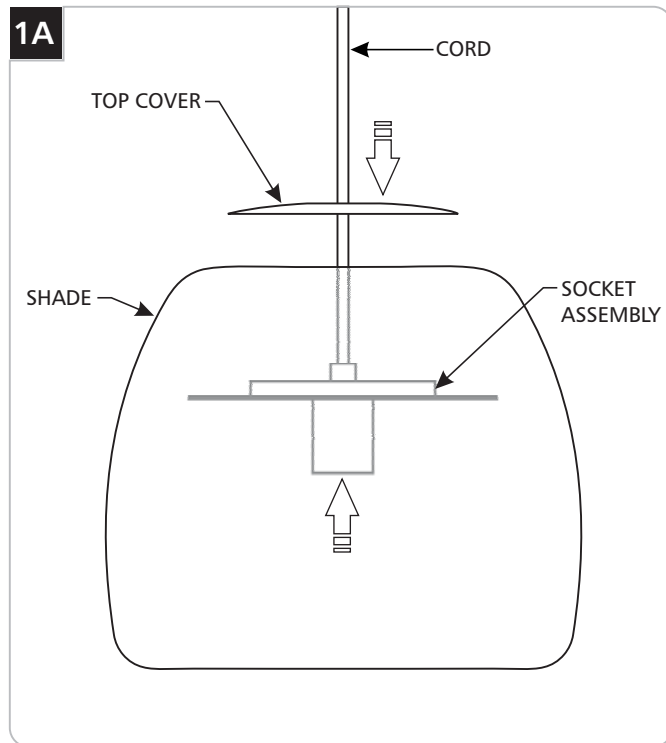


This product is suitable for damp locations.

This product can be dimmed with a LED or TRIAC dimmer. Consult lamp manufacturer for additional information.

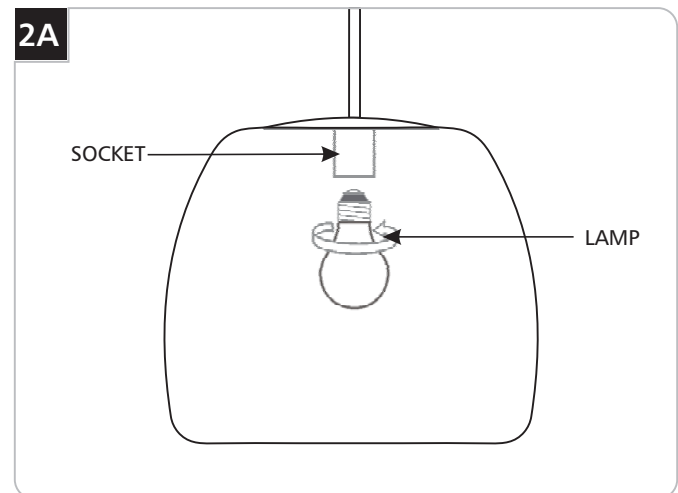


Assemble the Shade



- 1 Insert the socket assembly into the shade and feed the cord out through the top.
- 2 Feed the cord through the top cover and gently rest it on the shade.

Install/Replace the Lamp



CAUTION: To reduce the risk of a burn or electric shock during re-lamping, disconnect the power to the fixture.

Refer to fixture marking for lamp information.

- 1 Screw the lamp into the socket.

SAVE THESE INSTRUCTIONS!



TECH LIGHTING®

7400 Linder Ave, Skokie, IL 60077

847.410.4400

www.techlighting.com

© 2017 Tech Lighting, L.L.C. All rights reserved. The "Tech Lighting" graphic is a registered trademark of Tech Lighting, L.L.C. Tech Lighting reserves the right to change specifications for product improvements without notification.

A Generation Brands Company