



charcoal: LC-LLR-CG



black: LC-LLR-BL



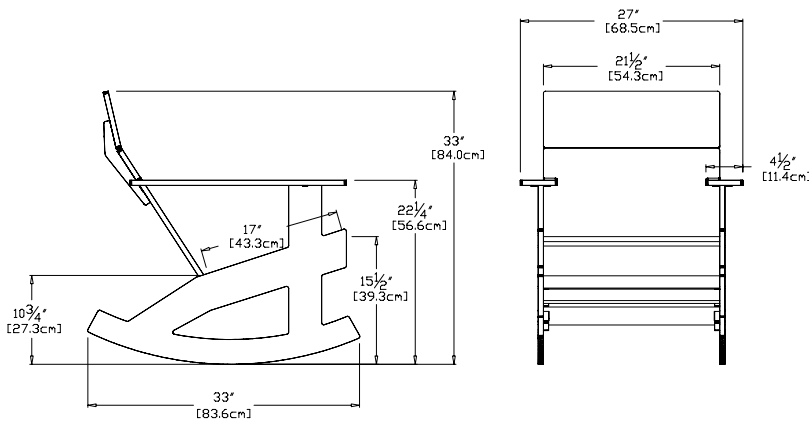
cloud: LC-LLR-CW



leaf: LC-LLR-LG



apple red: LC-LLR-AR



driftwood: LC-LLR-DW



navy blue: LC-LLR-NB



sky: LC-LLR-SB



sunset: LC-LLR-OR

collection: lollygagger

material: 100% recycled HDPE

dimensions: width: 27" (68.5cm)
depth: 33" (83.6cm)
height: 33" (84.0cm)

weight: 43.0 lbs (19.5kg)



344
reclaimed
milk jugs

shipping dimensions: 28.5" x 4.5" x 34"
shipping weight: 47 lbs (21.3kg)



flat pack shipped
some assembly required

