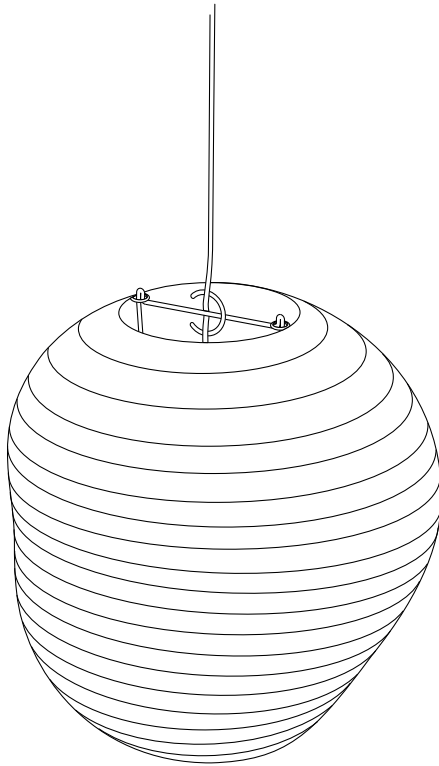


Kurbis Pendants

Assembly manual



ferm
L I V I N G

General Instructions

PLEASE READ BEFORE INSTALLATION

WARNING:

The safety of this fitting can only be guaranteed if the following instructions are observed during both installation and use. Please retain these instructions safely after installation.

PLEASE OBSERVE THE FOLLOWING GUIDELINES:

- Ensure that the power supply has been switched off prior to installation or removal of the product.
- Never undertake an electrical installation without the proper knowledge or training. If not familiar with electrical wiring, contact a qualified electrician.
- The product may in no way be modified or tampered with. Any modification may compromise safety and make the product itself dangerous to use. FERM LIVING does not accept any responsibility for products that have been modified.
- This product requires the use of a lightbulb that is not included. Please use a lightbulb that has the relevant safety certifications and approvals for your area.
- Any modification must be performed only by qualified personnel to avoid any danger.
- This product is meant for indoor use only.
- This appliance should not be disposed in a domestic trash receptacle and should instead be recycled appropriately.

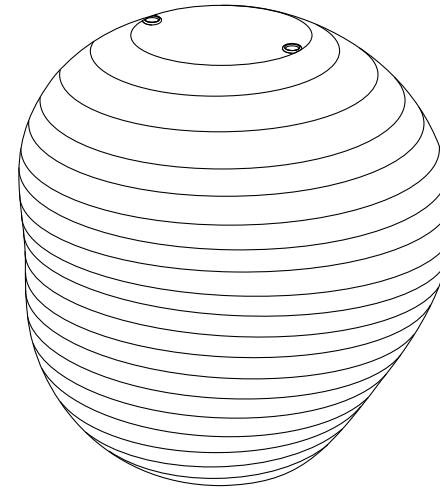
CLEANING INSTRUCTIONS:

- Use only a soft cloth to clean the product.

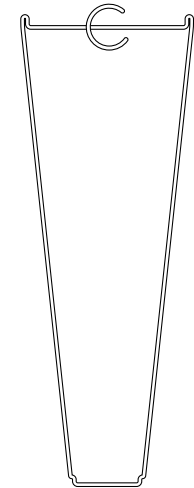
MORE INFORMATION:

To access further information such as product overview and material descriptions, please visit our website at www.fermliving.com. If you have any questions or comments, please do not hesitate to contact us at info@fermliving.com.

Box Content



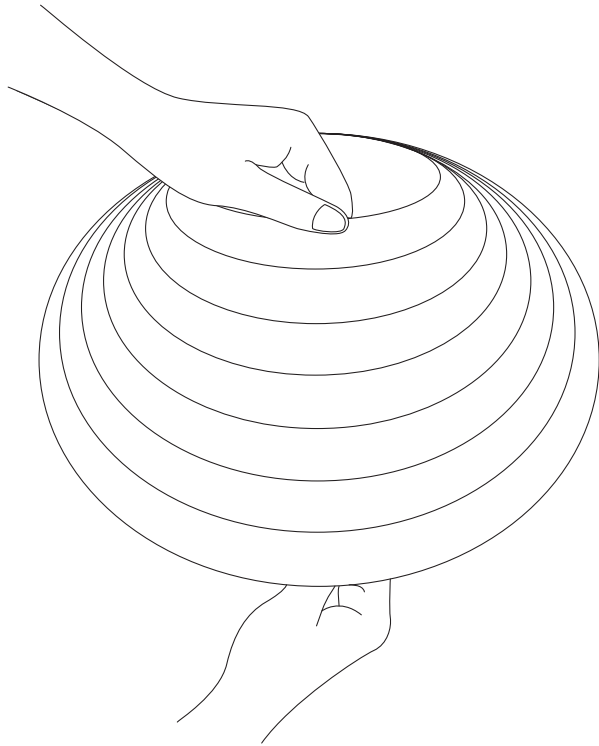
1x
Lamp



1x
Expander

Assembly Process

1

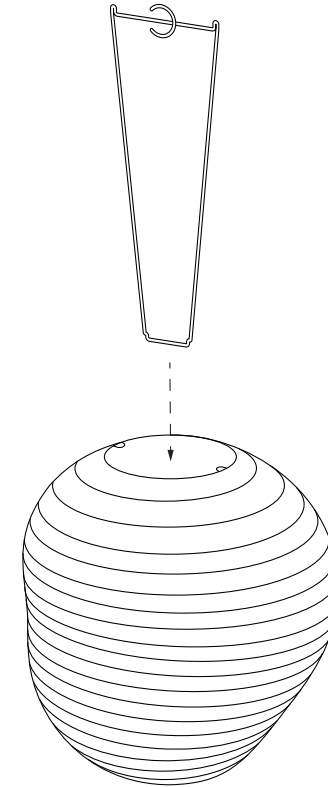


Carefully expand the lantern.

4

Assembly Process

2

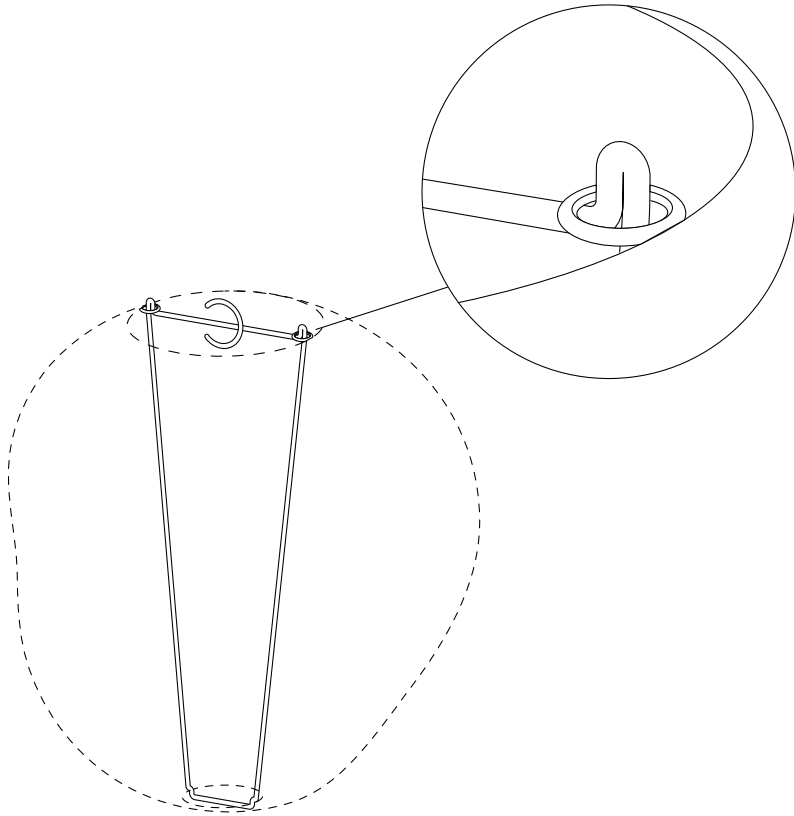


Insert the expander provided through the large opening at the top of the.

5

Assembly Process

3

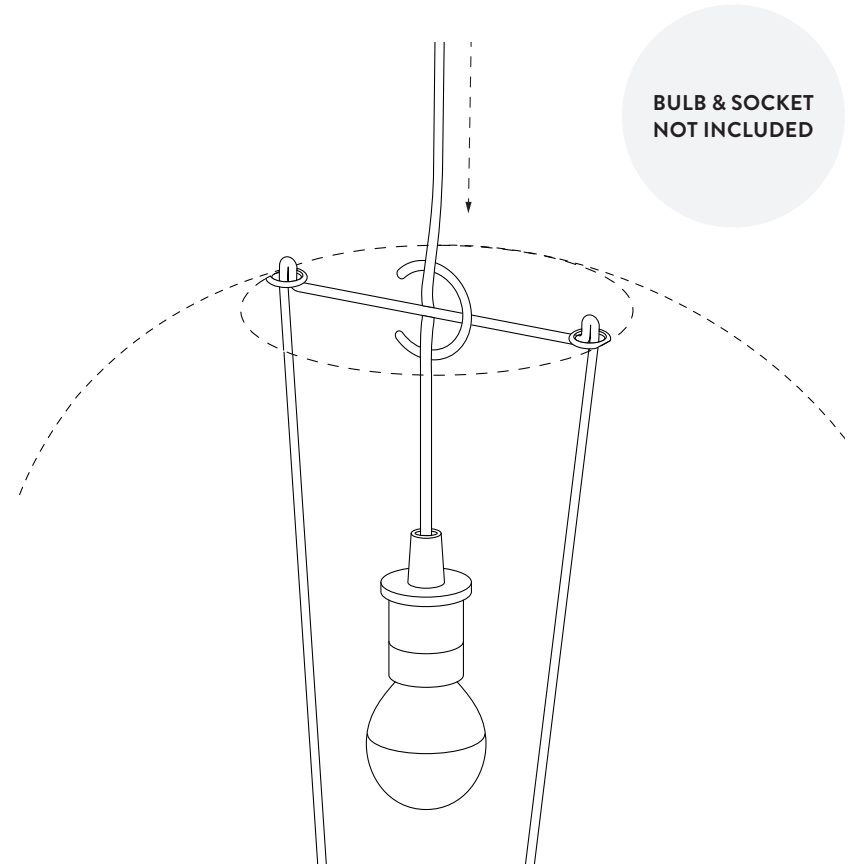


Align the sides of the expander into the hooks on the rim of the lantern.

6

Assembly Process

4



Hook the cord of the light bulb through the wire ensuring the light bulb will be in the middle of the lantern.

7

fermliving.com