

Monarch End Table



Royal
Oak

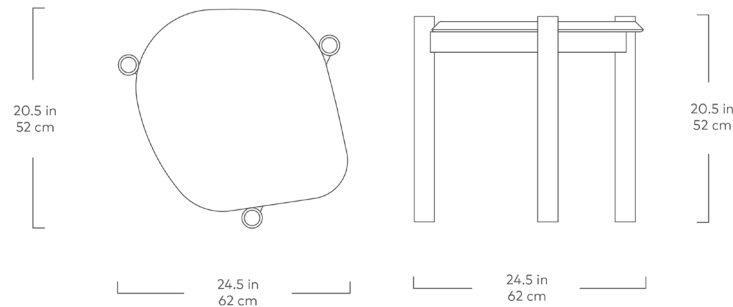


Natural
Walnut

The Monarch End Table juxtaposes organic shapes and natural wood grain with precision craftsmanship and sculptural details. The asymmetrical design provides an aesthetic counterpoint that blends harmoniously with modern living rooms. This table may be nested with the Monarch Coffee Table to create a dynamic arrangement of accents. All components are solid wood and FSC[®]-Certified to come from responsibly managed forests as part of our efforts to support a healthy environment.

Design Trade Professionals: We aim to keep our designs in stock and ready to ship quickly for projects on a tight timeline. Designs may be customized with COM and alternate finishes (minimum quantities may apply). Visit guscontract.com for more information about our Trade & Contract programs.

Monarch End Table



- Monarch End Table is designed to nest with the Monarch End Table (sold separately).
- The beveled tabletop and dowel legs are crafted from solid walnut or solid oak.
- Table is solid FSC®-Certified wood (Oak only) in support of responsible forest management (FSC® 092551). By purchasing this product you help take care of the world's forests. Find more information at www.fsc.org
- Integrated expansion joints help absorb movement in wood to extend the lifespan of the product.
- Low VOC wood finish is crafted with eco-friendly, plant-based waxes and oils.
- Wood is a natural material, with variations in grain pattern and color that make each design unique.
- Non-marking leveler feet can be adjusted for stability on uneven floor surfaces.
- It is normal for solid wood to expand and shrink due to variations in environmental humidity. A consistent humidity level of approximately 50% is recommended to prevent cracks and surface splits. Designed with Expansion joints to help alleviate and allow for some movement in wood to extend the products life.
- Simple assembly required.

