

Porter End Table



Walnut



Blonde
Ash

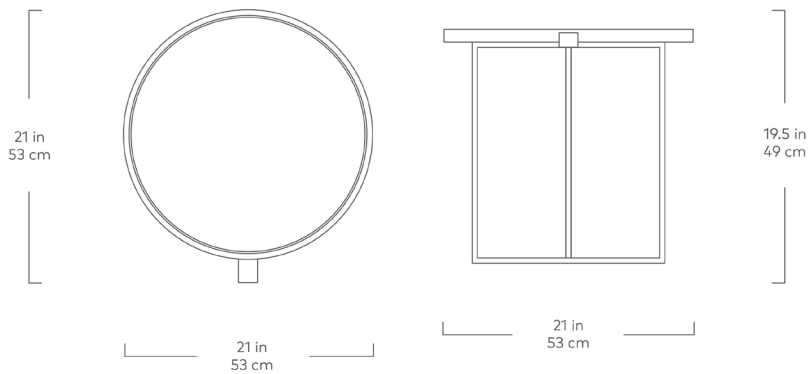


Black
Ash

The Porter End Table is a functional, organic accent piece which features a solid walnut routed top, which sits atop a sleek, triangular metal frame. A leather pull detail adds a touch of bespoke flair. The Porter is the perfect accent piece for a living room, bedroom or nursery.

Design Trade Professionals: We aim to keep our designs in stock and ready to ship quickly for projects on a tight timeline. Designs may be customized with COM and alternate finishes (minimum quantities may apply). Visit gusmodern.com for more information about our Trade & Contract programs.

Porter End Table



- Matte black, powder-coated, solid tubular steel base.
- Solid Walnut top with CNC-routed recess detail.
- Leather detail.
- Water-based, clear coat finish.
- Bumpers on the bottom of base to protect hardwood floors.
- Wood is a natural material, with variations in grain pattern and colour that make each design unique.

