



PRODUCT SHEET

**Harbour Dining Chair Collection**  
*by Norm Architects*

# Harbour Dining Chair, Steel Base, Plastic

BY NORM ARCHITECTS

Dining chair with bare shell set on a powder coated steel base.



## PRODUCT OPTIONS

### PLASTIC SHELL



BLACK

BURNED RED

KHAKI



LIGHT GREY

OLIVE

WHITE

### POWDER COATED STEEL BASE



BLACK STEEL

# Harbour Dining Chair, Steel Base, Plastic

BY NORM ARCHITECTS

## TECHNICAL SPECIFICATIONS

### PRODUCT TYPE

Dining chair

### COLLI

1

### ENVIRONMENT

Indoor

### DIMENSIONS

H: 81 cm / 31,9"  
SH: 45 cm / 17,7"  
AH: 67,5 cm / 26,6"  
D: 55,5 cm / 21,9"  
W: 58,5 cm / 23"

### PRODUCTION PROCESS

The shell is made from injection moulded polypropylene with fibreglass. Steel base is made from bent powder coated steel tubes.

### COLOUR

#### Shell

Black (RAL 9011)  
Burned red (RAL 8015)  
Khaki (RAL 1011)  
Light grey (RAL 9002)  
Olive (RAL 7002)  
White (RAL 9016)

#### Steel base

Black (RAL9005)

### GLOSS

Gloss 10-20

### MATERIALS

#### Shell

85% polypropylene, 15% fibreglass

#### Steel base

Powder coated steel

### WEIGHT

13 kg / 28,7 lb

### TEST

EN1022:2005, L2  
EN16139:2013, L2  
ANSI: BIFMA X5.4

### CERTIFICATIONS

**Declare.**

### PACKAGING TYPE

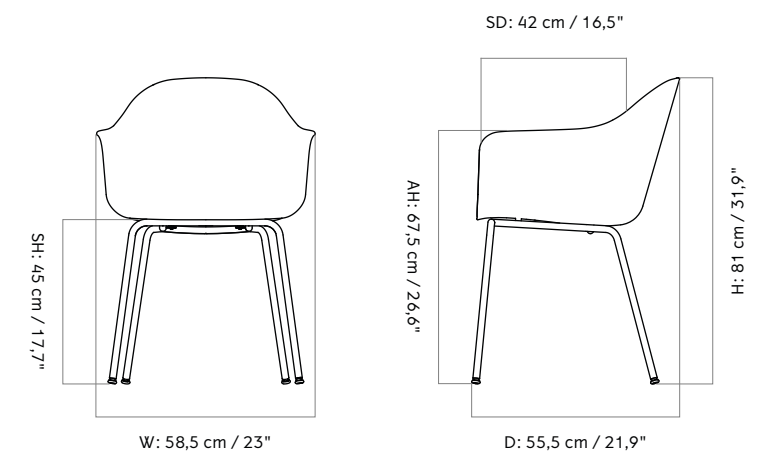
Brown box

### PACKAGING MEASUREMENTS (H x W x D)

86 cm x 62 cm x 65 cm / 34" x 24,4" x 25,6"

### MATERIALS & MAINTENANCE

Please visit [menuspace.com](https://www.menuspace.com) for materials, care and maintenance instructions.



# Harbour Dining Chair, Steel Base, Upholstered

BY NORM ARCHITECTS

Dining chair with upholstered shell set on a powder coated steel base. All Harbour chairs have been upgraded with extra foam in the seat for better sitting comfort, increasing from 15 mm in thickness to 25 mm.



## PRODUCT OPTIONS

### SHELL



WITH UPHOLSTERY

### POWDER COATED STEEL BASE



BLACK STEEL

### SPEC OPTIONS

Available in fabrics from our upholstery programme. Standard lead times apply.

For custom upholstery, please refer to the guiding textile/leather consumption:

COM: 1,7 m / 1,87 yds

COL: 3 m<sup>2</sup> / 32,31 sqft

Prices excl. custom upholstery are equal to Price Category 1 Textile or Leather. Contact Sales support for approval of custom upholstery and to place your order.

The above textile consumption is only valid for textile rolls with a width equal to or greater than 140 cm. For smaller textile rolls, please contact Sales Support for guidance. For textile with pattern, please expect a higher usage for correct pattern fitting. Please contact Sales Support for guidance.

# Harbour Dining Chair, Steel Base, Upholstered

BY NORM ARCHITECTS

## TECHNICAL SPECIFICATIONS

### PRODUCT TYPE

Dining chair

### COLLI

1

### ENVIRONMENT

Indoor

### DIMENSIONS

H: 81 cm / 31,9"  
SH: 45 cm / 17,7"  
AH: 67,5 cm / 26,6"  
D: 55,5 cm / 21,9"  
W: 58,5 cm / 23"

### PRODUCTION PROCESS

The shell is made from injection moulded polypropylene with fibreglass. Steel base is made from bent powder coated steel tubes.

### COLOUR

#### Shell with upholstery

Dependent upon selected upholstery

#### Steel base

Black (RAL9005)

### GLOSS

Gloss 10-20

### MATERIALS

#### Shell

85% polypropylene, 15% fibreglass

#### Upholstered shell foam

CAL117 50 kg / 50N and 40 kg / 60N

#### Steel base

Powder coated steel

### WEIGHT

13 kg / 28,7 lb

### TEST

EN1022:2005, L2  
EN16139:2013, L2  
ANSI: BIFMA X5.4

### CERTIFICATIONS

#### Declare.

\*The Declare label and LBC-approved accreditation only applies to the following upholstery: MENU Bouclé 02.

### PACKAGING TYPE

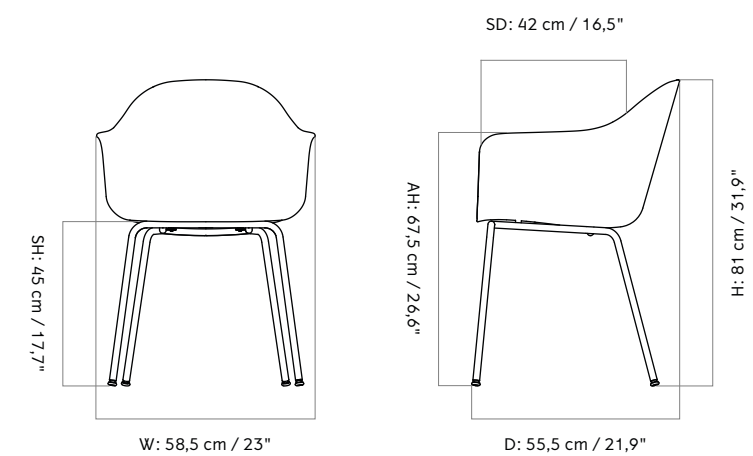
Brown box

### PACKAGING MEASUREMENTS (H x W x D)

86 cm x 62 cm x 65 cm / 34" x 24,4" x 25,6"

### MATERIALS & MAINTENANCE

Please visit [menuspace.com](https://www.menuspace.com) for materials, care and maintenance instructions.



# Harbour Dining Chair, Oak Base, Plastic

BY NORM ARCHITECTS

Dining chair with bare shell set on a solid oak base.



## PRODUCT OPTIONS

### PLASTIC SHELL



BLACK

BURNED RED

KHAKE



LIGHT GREY

OLIVE

WHITE

### SOLID OAK BASE



NATURAL OAK

DARK STAINED OAK

BLACK OAK

# Harbour Dining Chair, Oak Base, Plastic

BY NORM ARCHITECTS

## TECHNICAL SPECIFICATIONS

### PRODUCT TYPE

Dining chair

### COLLI

1

### ENVIRONMENT

Indoor

### DIMENSIONS

H: 81 cm / 31,9"  
SH: 45 cm / 17,7"  
AH: 67,5 cm / 26,6"  
D: 57,5 cm / 22,6"  
W: 58,5 cm / 23"

### PRODUCTION PROCESS

The shell is made from injection moulded polypropylene with fibreglass. Wood base is made of CNC-cut and turned oak parts.

### COLOUR

#### Shell

Black (RAL 9011)  
Burned red (RAL 8015)  
Khaki (RAL 1011)  
Light grey (RAL 9002)  
Olive (RAL 7002)  
White (RAL 9016)

#### Oak base

Natural oak  
Dark stained oak  
Black oak

### GLOSS

Gloss 10-20

### MATERIALS

#### Shell

85% polypropylene, 15% fibreglass

#### Oak base

Solid oak with matte lacquer, dark stained oak or black painted oak

### WEIGHT

12 kg / 26,5 lb

### TEST

EN1022:2005, L2  
EN16139:2013, L2

### CERTIFICATIONS

Crafted from FSC certified oak

### Declare.

### PACKAGING TYPE

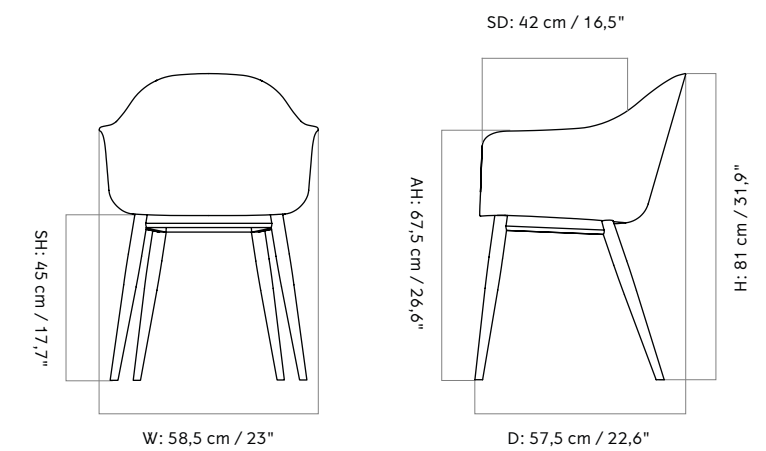
Brown box

### PACKAGING MEASUREMENTS (H x W x D)

86 cm x 62 cm x 65 cm / 34" x 24,4" x 25,6"

### MATERIALS & MAINTENANCE

Please visit [menuspace.com](https://www.menuspace.com) for materials, care and maintenance instructions.



# Harbour Dining Chair, Oak Base, Upholstered

BY NORM ARCHITECTS

Dining chair with upholstered shell set on a solid oak base. All Harbour chairs have been upgraded with extra foam in the seat for better sitting comfort, increasing from 15 mm in thickness to 25 mm.



## PRODUCT OPTIONS

### SHELL



WITH UPHOLSTERY

### SOLID OAK BASE



NATURAL OAK

DARK STAINED OAK

BLACK OAK

### SPEC OPTIONS

Available in fabrics from our upholstery programme. Standard lead times apply.

For custom upholstery, please refer to the guiding textile/leather consumption:

COM: 1,7 m / 1,87 yds

COL: 3 m<sup>2</sup> / 32,31 sqft

Prices excl. custom upholstery are equal to Price Category 1 Textile or Leather. Contact Sales support for approval of custom upholstery and to place your order.

The above textile consumption is only valid for textile rolls with a width equal to or greater than 140 cm. For smaller textile rolls, please contact Sales Support for guidance. For textile with pattern, please expect a higher usage for correct pattern fitting. Please contact Sales Support for guidance.

# Harbour Dining Chair, Oak Base, Upholstered

BY NORM ARCHITECTS

## TECHNICAL SPECIFICATIONS

### PRODUCT TYPE

Dining chair

### COLLI

1

### ENVIRONMENT

Indoor

### DIMENSIONS

H: 81 cm / 31,9"  
SH: 45 cm / 17,7"  
AH: 67,5 cm / 26,6"  
D: 57,5 cm / 22,6"  
W: 58,5 cm / 23"

### PRODUCTION PROCESS

The shell is made from injection moulded polypropylene with fibreglass. Wood base is made of CNC-cut and turned oak parts.

### COLOUR

#### Shell with upholstery

Dependent upon selected upholstery

#### Oak base

Natural oak  
Dark stained oak  
Black oak

### GLOSS

Gloss 10-20

### MATERIALS

#### Shell

85% polypropylene, 15% fibreglass

#### Upholstered shell foam

CAL117 50 kg / 50N and 40 kg / 60N

#### Oak base

Solid oak with matte lacquer, dark stained oak or black painted oak

### WEIGHT

12 kg / 26,5 lb

### TEST

EN1022:2005, L2  
EN16139:2013, L2

### CERTIFICATIONS

Crafted from FSC certified oak

### Declare.

\*The Declare label and LBC-approved accreditation only applies to the following upholstery: MENU Bouclé 02.

### PACKAGING TYPE

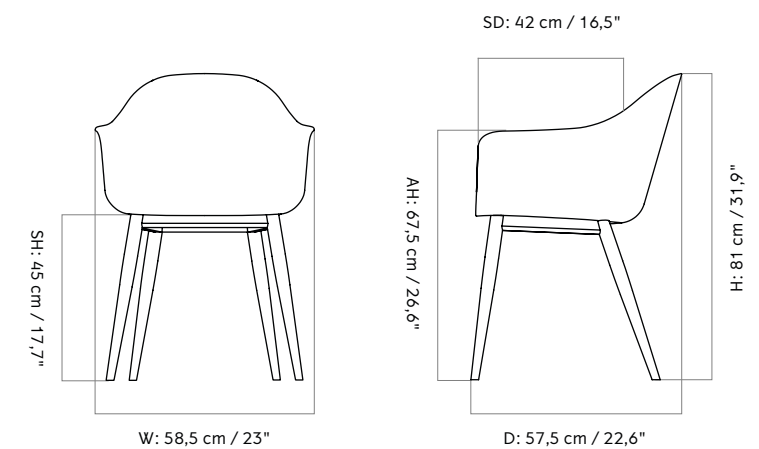
Brown box

### PACKAGING MEASUREMENTS (H x W x D)

86 cm x 62 cm x 65 cm / 34" x 24,4" x 25,6"

### MATERIALS & MAINTENANCE

Please visit [menuspace.com](https://www.menuspace.com) for materials, care and maintenance instructions.



# Harbour Dining Chair, Star Base w/Swivel, Plastic

BY NORM ARCHITECTS

Dining chair with bare shell set on a polished aluminium or black powder coated aluminium star base with swivel.



## PRODUCT OPTIONS

### PLASTIC SHELL



BLACK

BURNED RED

KHAKE

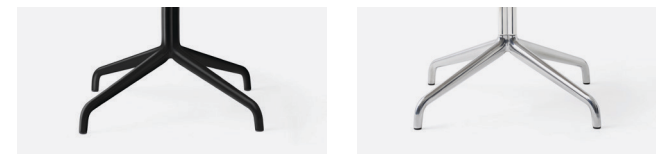


LIGHT GREY

OLIVE

WHITE

### STAR BASE



BLACK POWDER COATED ALUMINIUM

POLISHED ALUMINIUM

# Harbour Dining Chair, Star Base w/Swivel, Plastic

BY NORM ARCHITECTS

## TECHNICAL SPECIFICATIONS

### PRODUCT TYPE

Dining chair

### COLLI

1

### ENVIRONMENT

Indoor

### DIMENSIONS

H: 81 cm / 31,9"  
SH: 45 cm / 17,7"  
AH: 67,5 cm / 26,6"  
D: 54,5 cm / 21,46"  
W: 58,5 cm / 23"

### PRODUCTION PROCESS

The shell is made using injection moulded polypropylene with fibreglass. The star base is die-casted and the column is made of extruded aluminium.

All new Harbour Dining Chairs with a swivel base or swivel with return have been upgraded with QuickClick gliders, as used on all other chairs in our collection.

The chairs are delivered with the plastic gliders attached and come with a bag of supplementary felt castors that allow you to easily switch from plastic to felt.

### COLOUR

#### Shell

Black (RAL 9011)  
Burned red (RAL 8015)  
Khaki (RAL 1011)  
Light grey (RAL 9002)  
Olive (RAL 7002)  
White (RAL 9016)

#### Base

Black (RAL 9005)  
Polished aluminium

### GLOSS

Gloss 10-20

### MATERIALS

#### Shell

85% polypropylene, 15% fibreglass

#### Star base

Cast, extruded aluminium

### WEIGHT

13 kg / 28,7 lb

### TEST

EN1022:2005, L2  
EN16139:2013, L2

### CERTIFICATIONS

**Declare.**

### PACKAGING TYPE

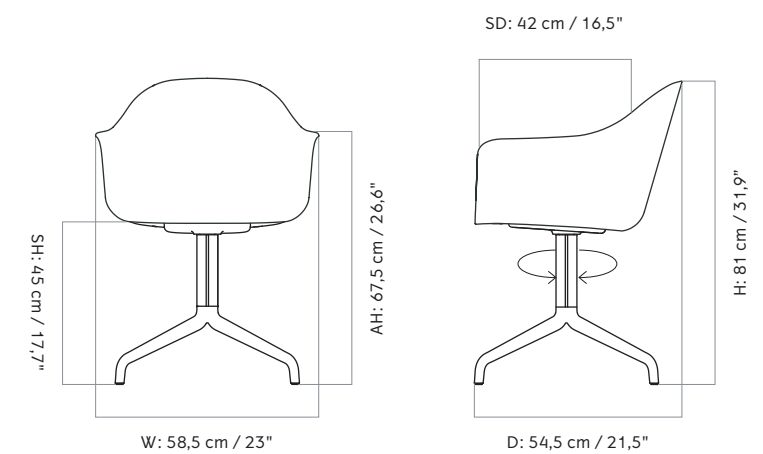
Brown box

### PACKAGING MEASUREMENTS (H x W x D)

86 cm x 62 cm x 65 cm / 34" x 24,4" x 25,6"

### MATERIALS & MAINTENANCE

Please visit [menuspace.com](http://menuspace.com) for materials, care and maintenance instructions.



# Harbour Dining Chair, Star Base w/Swivel, Upholstered

BY NORM ARCHITECTS

Dining chair with upholstered shell set on a polished aluminium or black powder coated aluminium star base with swivel. All Harbour chairs have been upgraded with extra foam in the seat for better sitting comfort, increasing from 15 mm in thickness to 25 mm.



## PRODUCT OPTIONS

### SHELL



WITH UPHOLSTERY

### STAR BASE



BLACK POWDER COATED ALUMINIUM



POLISHED ALUMINIUM

### SPEC OPTIONS

Available in fabrics from our upholstery programme. Standard lead times apply.

For custom upholstery, please refer to the guiding textile/leather consumption:

COM: 1,7 m / 1,87 yds

COL: 3 m<sup>2</sup> / 32,31 sqft

Prices excl. custom upholstery are equal to Price Category 1 Textile or Leather. Contact Sales support for approval of custom upholstery and to place your order.

The above textile consumption is only valid for textile rolls with a width equal to or greater than 140 cm. For smaller textile rolls, please contact Sales Support for guidance. For textile with pattern, please expect a higher usage for correct pattern fitting. Please contact Sales Support for guidance.

# Harbour Dining Chair, Star Base w/Swivel, Upholstered

BY NORM ARCHITECTS

## TECHNICAL SPECIFICATIONS

**PRODUCT TYPE**  
Dining chair

**COLLI**  
1

**ENVIRONMENT**  
Indoor

**DIMENSIONS**  
H: 81 cm / 31,9"  
SH: 45 cm / 17,7"  
AH: 67,5 cm / 26,6"  
D: 54,5 cm / 21,46"  
W: 58,5 cm / 23"

**PRODUCTION PROCESS**  
The shell is made using injection moulded polypropylene with fibreglass. The star base is die-casted and the column is made of extruded aluminium.

All new Harbour Dining Chairs with a swivel base or swivel with return have been upgraded with QuickClick gliders, as used on all other chairs in our collection.

The chairs are delivered with the plastic gliders attached and come with a bag of supplementary felt castors that allow you to easily switch from plastic to felt.

**COLOUR**

**Shell with upholstery**  
Dependent upon selected upholstery

**Base**  
Black (RAL 9005)  
Polished aluminium

**GLOSS**  
Gloss 10-20

**MATERIALS**

**Shell**  
85% polypropylene, 15% fibreglass

**Upholstered shell foam**  
CAL117 50 kg / 50N and 40 kg / 60N

**Star base**  
Cast, extruded aluminium

**WEIGHT**  
13 kg / 28,7 lb

**TEST**  
EN1022:2005, L2  
EN16139:2013, L2

**CERTIFICATIONS**

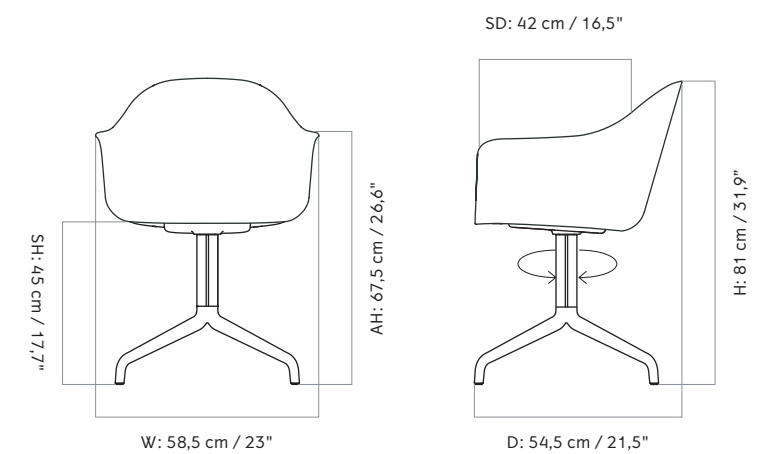
**Declare.**

\*The Declare label and LBC-approved accreditation only applies to the following upholstery: MENU Bouclé 02.

**PACKAGING TYPE**  
Brown box

**PACKAGING MEASUREMENTS (H x W x D)**  
86 cm x 62 cm x 65 cm / 34" x 24,4" x 25,6"

**MATERIALS & MAINTENANCE**  
Please visit [menuspace.com](https://www.menuspace.com) for materials, care and maintenance instructions.



# Harbour Dining Chair, Star Base, Swivel w/Return, Plastic

BY NORM ARCHITECTS

Dining chair with bare shell set on a polished aluminium or black powder coated aluminium star base with return swivel.



## PRODUCT OPTIONS

### PLASTIC SHELL



BLACK

BURNED RED

KHAKE

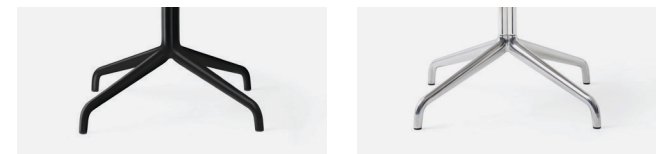


LIGHT GREY

OLIVE

WHITE

### STAR BASE



BLACK POWDER COATED ALUMINIUM

POLISHED ALUMINIUM

# Harbour Dining Chair, Star Base, Swivel w/Return, Plastic

BY NORM ARCHITECTS

## TECHNICAL SPECIFICATIONS

### PRODUCT TYPE

Dining chair

### COLLI

1

### ENVIRONMENT

Indoor

### DIMENSIONS

H: 81 cm / 31,9"  
SH: 45 cm / 17,7"  
AH: 67,5 cm / 26,6"  
D: 54,5 cm / 21,5"  
W: 58,5 cm / 23"

### PRODUCTION PROCESS

The shell is made using injection moulded polypropylene with fibreglass. The star base is die-casted aluminium and the column is made of extruded aluminium.

All new Harbour Dining Chairs with a swivel base or swivel with return have been upgraded with QuickClick gliders, as used on all other chairs in our collection.

The chairs are delivered with the plastic gliders attached and come with a bag of supplementary felt castors that allow you to easily switch from plastic to felt.

### COLOUR

#### Shell

Black (RAL 9011)  
Burned red (RAL 8015)  
Khaki (RAL 1011)  
Light grey (RAL 9002)  
Olive (RAL 7002)  
White (RAL 9016)

#### Base

Black (RAL 9005)  
Polished aluminium

### GLOSS

Gloss 10-20

### MATERIALS

#### Shell

85% polypropylene, 15% fibreglass

#### Star base

Cast, extruded aluminium

### WEIGHT

13 kg / 28,7 lb

### TEST

EN1022:2005, L2  
EN16139:2013, L2

### CERTIFICATIONS

**Declare.**

### PACKAGING TYPE

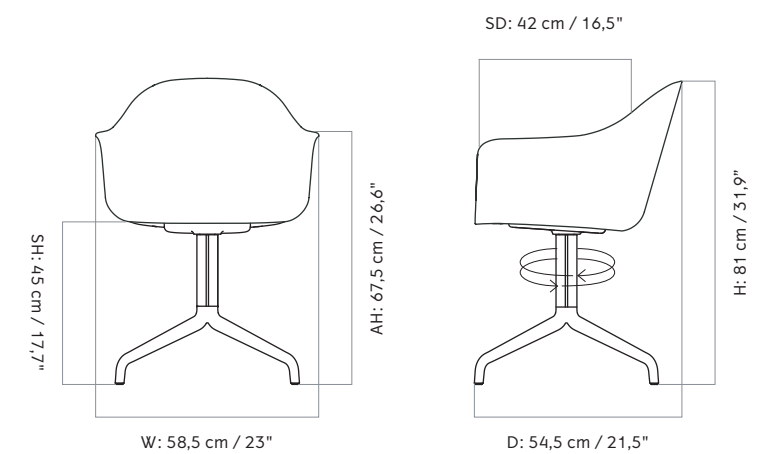
Brown box

### PACKAGING MEASUREMENTS (H x W x D)

86 cm x 62 cm x 65 cm / 34" x 24,4" x 25,6"

### MATERIALS & MAINTENANCE

Please visit [menuspace.com](http://menuspace.com) for materials, care and maintenance instructions.







## Harbour Dining Chair, Star Base, Swivel w/Return, Uph.

BY NORM ARCHITECTS

Dining chair with upholstered set on a polished aluminium or black powder coated aluminium star base with return swivel. All Harbour chairs have been upgraded with extra foam in the seat for better sitting comfort, increasing from 15 mm in thickness to 25 mm.



### PRODUCT OPTIONS

#### SHELL



WITH UPHOLSTERY

#### STAR BASE



BLACK POWDER COATED ALUMINIUM



POLISHED ALUMINIUM

#### SPEC OPTIONS

Available in fabrics from our upholstery programme. Standard lead times apply.

For custom upholstery, please refer to the guiding textile/leather consumption:

COM: 1,7 m / 1,87 yds

COL: 3 m<sup>2</sup> / 32,31 sqft

Prices excl. custom upholstery are equal to Price Category 1 Textile or Leather. Contact Sales support for approval of custom upholstery and to place your order.

The above textile consumption is only valid for textile rolls with a width equal to or greater than 140 cm. For smaller textile rolls, please contact Sales Support for guidance. For textile with pattern, please expect a higher usage for correct pattern fitting. Please contact Sales Support for guidance.



## Harbour Dining Chair, Star Base, Swivel w/Return, Uph.

BY NORM ARCHITECTS

### TECHNICAL SPECIFICATIONS

**PRODUCT TYPE**  
Dining chair

**COLLI**  
1

**ENVIRONMENT**  
Indoor

**DIMENSIONS**  
H: 81 cm / 31,9"  
SH: 45 cm / 17,7"  
AH: 67,5 cm / 26,6"  
D: 54,5 cm / 21,5"  
W: 58,5 cm / 23"

**PRODUCTION PROCESS**  
The shell is made using injection moulded polypropylene with fibreglass. The star base is die-casted aluminium and the column is made of extruded aluminium.

All new Harbour Dining Chairs with a swivel base or swivel with return have been upgraded with QuickClick gliders, as used on all other chairs in our collection.

The chairs are delivered with the plastic gliders attached and come with a bag of supplementary felt castors that allow you to easily switch from plastic to felt.

**COLOUR**

**Shell with upholstery**  
Dependent upon selected upholstery

**Base**  
Black (RAL 9005)  
Polished aluminium

**GLOSS**  
Gloss 10-20

**MATERIALS**

**Shell**  
85% polypropylene, 15% fibreglass

**Upholstered shell foam**  
CAL117 50 kg / 50N and 40 kg / 60N

**Star base**  
Cast, extruded aluminium

**WEIGHT**  
13 kg / 28,7 lb

**TEST**  
EN1022:2005, L2  
EN16139:2013, L2

**CERTIFICATIONS**

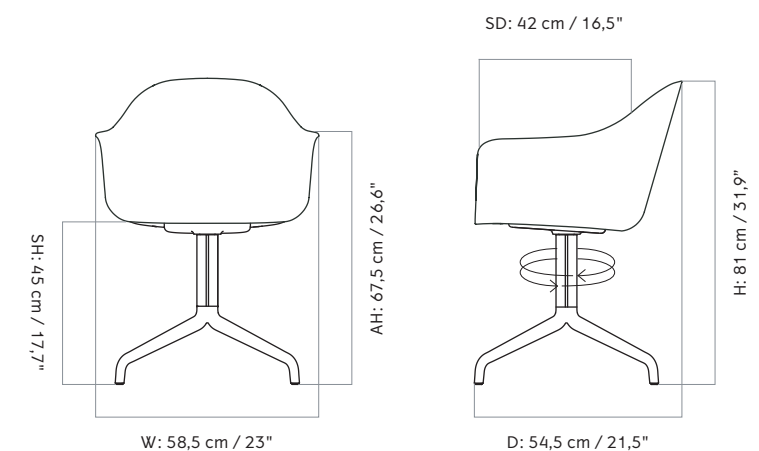
**Declare.**

\*The Declare label and LBC-approved accreditation only applies to the following upholstery: MENU Bouclé 02.

**PACKAGING TYPE**  
Brown box

**PACKAGING MEASUREMENTS (H x W x D)**  
86 cm x 62 cm x 65 cm / 34" x 24,4" x 25,6"

**MATERIALS & MAINTENANCE**  
Please visit [menuspace.com](https://www.menuspace.com) for materials, care and maintenance instructions.



# Harbour Dining Chair, Star Base, w/Casters, Plastic

BY NORM ARCHITECTS

Dining chair with bare shell set on a polished aluminium or black powder coated aluminium star base with casters.



## PRODUCT OPTIONS

### PLASTIC SHELL



BLACK

BURNED RED

KHAKI



LIGHT GREY

OLIVE

WHITE

### STAR BASE WITH CASTERS



BLACK POWDER COATED ALUMINIUM

POLISHED ALUMINIUM

# Harbour Dining Chair, Star Base, w/Casters, Plastic

BY NORM ARCHITECTS

## TECHNICAL SPECIFICATIONS

### PRODUCT TYPE

Dining chair

### COLLI

1

### ENVIRONMENT

Indoor

### DIMENSIONS

H: 82 cm / 32,3"  
SH: 45 cm / 17,7"  
AH: 67,5 cm / 26,6"  
D: 54,5 cm / 21,46"  
W: 58,5 cm / 23"

### PRODUCTION PROCESS

The shell is made using injection moulded polypropylene with fibreglass. The star base is die-cast aluminium and the column is made of extruded aluminium.

### COLOUR

#### Shell

Black (RAL 9011)  
Burned red (RAL 8015)  
Khaki (RAL 1011)  
Light grey (RAL 9002)  
Olive (RAL 7002)  
White (RAL 9016)

#### Base

Black (RAL 9005)  
Polished aluminium

### GLOSS

Gloss 10-20

### MATERIALS

#### Shell

85% polypropylene, 15% fibreglass

#### Star base

Cast, extruded aluminium

#### Casters for powder coated base

PA6, PUR

#### Casters for polished aluminium base

Aluminium, PA6, PUR

### WEIGHT

14 kg / 30,9 lb

### TEST

N / A

### CERTIFICATIONS

**Declare.**

### PACKAGING TYPE

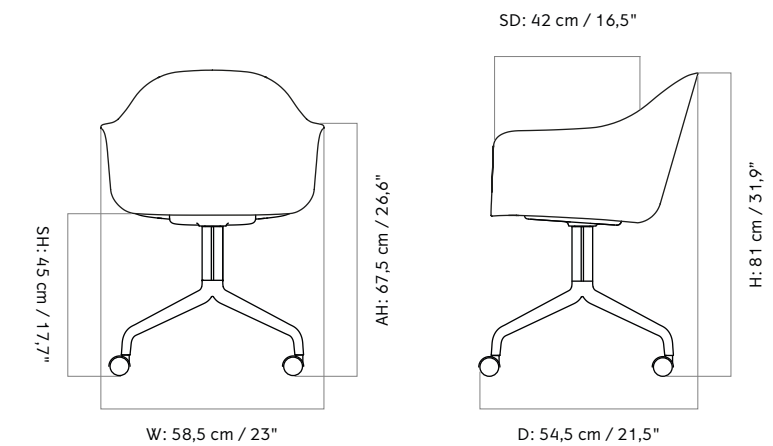
Brown box

### PACKAGING MEASUREMENTS (H x W x D)

86 cm x 62 cm x 65 cm / 34" x 24,4" x 25,6"

### MATERIALS & MAINTENANCE

Please visit [menuspace.com](http://menuspace.com) for materials, care and maintenance instructions.



# Harbour Dining Chair, Star Base, w/Casters, Upholstered

BY NORM ARCHITECTS

Dining chair with upholstered shell set on a polished aluminium or black powder coated aluminium star base with casters. All Harbour chairs have been upgraded with extra foam in the seat for better sitting comfort, increasing from 15 mm in thickness to 25 mm.



## PRODUCT OPTIONS

### SHELL



WITH UPHOLSTERY

### STAR BASE WITH CASTERS

BLACK POWDER COATED  
ALUMINIUM

POLISHED ALUMINIUM

### SPEC OPTIONS

Available in fabrics from our upholstery programme. Standard lead times apply.

For custom upholstery, please refer to the guiding textile/leather consumption:

COM: 1,7 m / 1,87 yds

COL: 3 m<sup>2</sup> / 32,31 sqft

Prices excl. custom upholstery are equal to Price Category 1 Textile or Leather. Contact Sales support for approval of custom upholstery and to place your order.

The above textile consumption is only valid for textile rolls with a width equal to or greater than 140 cm. For smaller textile rolls, please contact Sales Support for guidance. For textile with pattern, please expect a higher usage for correct pattern fitting. Please contact Sales Support for guidance.

# Harbour Dining Chair, Star Base, w/Casters, Upholstered

BY NORM ARCHITECTS

## TECHNICAL SPECIFICATIONS

**PRODUCT TYPE**  
Dining chair

**COLLI**  
1

**ENVIRONMENT**  
Indoor

**DIMENSIONS**  
H: 82 cm / 32,3"  
SH: 45 cm / 17,7"  
AH: 67,5 cm / 26,6"  
D: 54,5 cm / 21,46"  
W: 58,5 cm / 23"

### PRODUCTION PROCESS

The shell is made using injection moulded polypropylene with fibreglass. The star base is die-cast aluminium and the column is made of extruded aluminium.

### COLOUR

**Shell with upholstery**  
Dependent upon selected upholstery

**Base**  
Black (RAL 9005)  
Polished aluminium

**GLOSS**  
Gloss 10-20

### MATERIALS

**Shell**  
85% polypropylene, 15% fibreglass

**Upholstered shell foam**  
CAL117 50 kg / 50N and 40 kg / 60N

**Star base**  
Cast, extruded aluminium

**Casters for powder coated base**  
PA6, PUR

**Casters for polished aluminium base**  
Aluminium, PA6, PUR

**WEIGHT**  
14 kg / 30,9 lb

**TEST**  
N / A

### CERTIFICATIONS

#### Declare.

\*The Declare label and LBC-approved accreditation only applies to the following upholstery: MENU Bouclé 02.

**PACKAGING TYPE**  
Brown box

**PACKAGING MEASUREMENTS (H x W x D)**  
86 cm x 62 cm x 65 cm / 34" x 24,4" x 25,6"

### MATERIALS & MAINTENANCE

Please visit [menuspace.com](https://www.menuspace.com) for materials, care and maintenance instructions.

