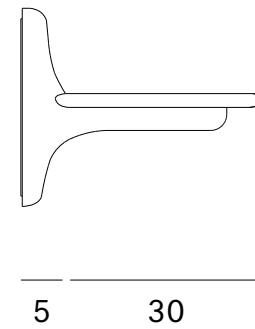
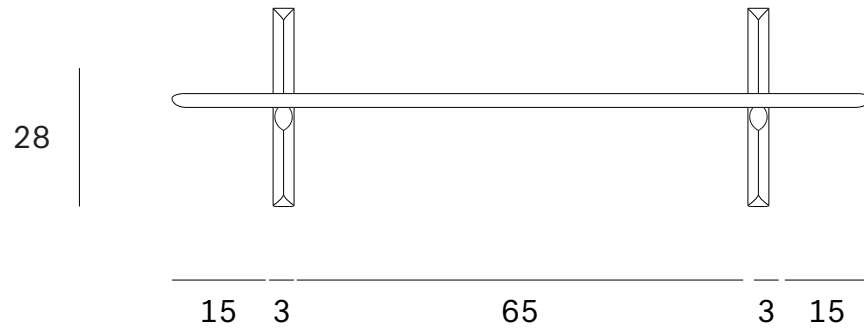
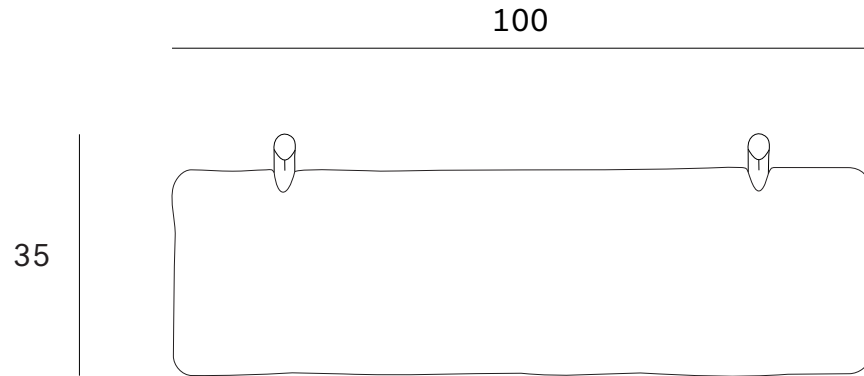
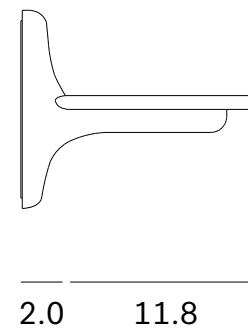
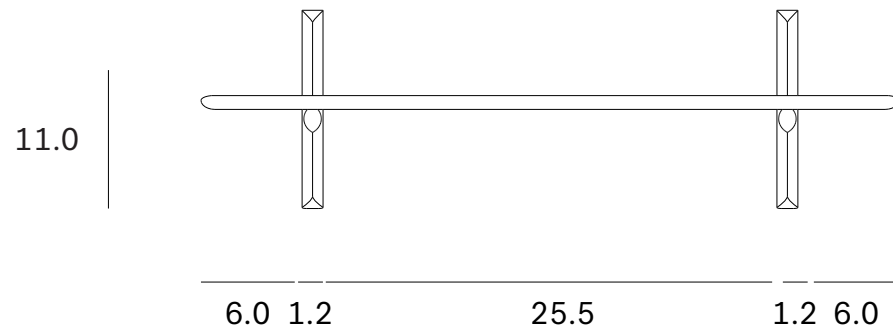
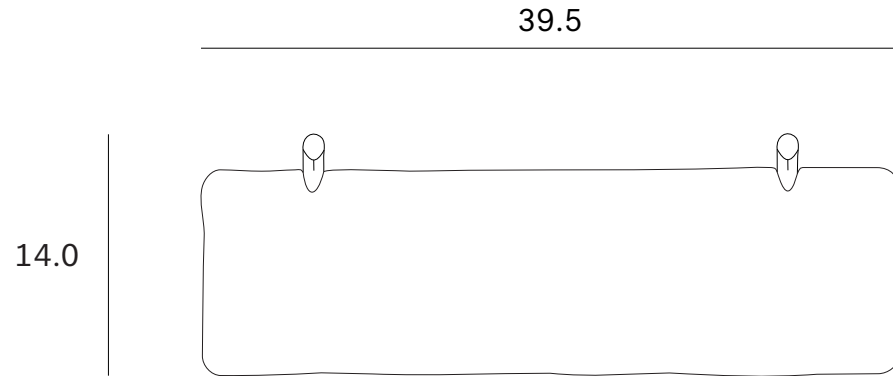


PI wall shelf - 1 shelf - Dimensions (cm)



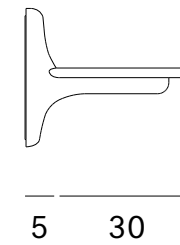
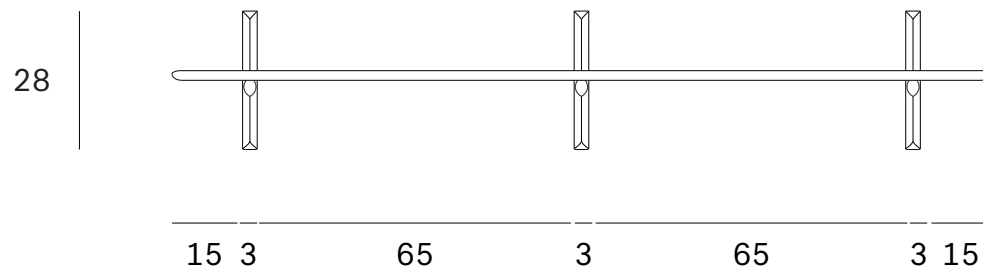
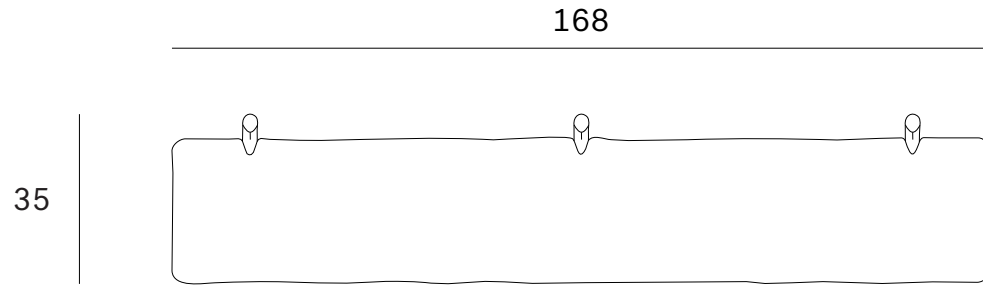
*Ethnicraft*

PI wall shelf - 1 shelf - Dimensions (inches)



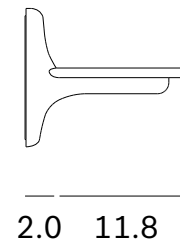
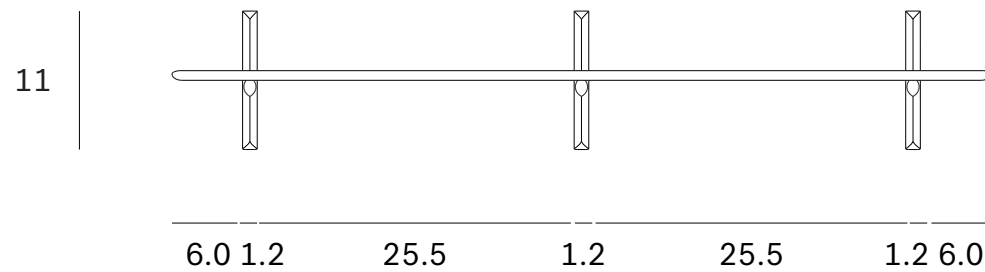
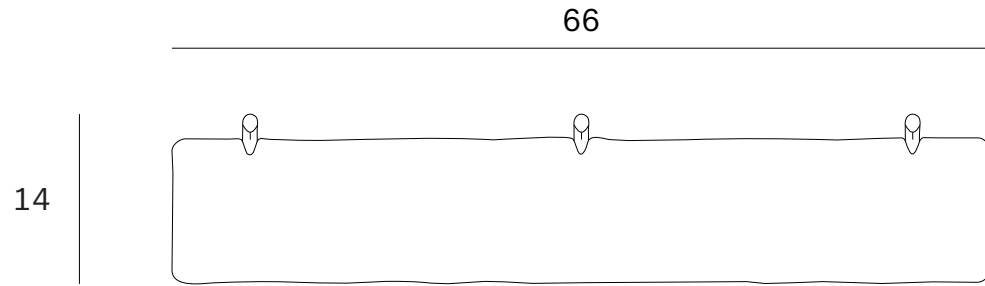
Ethnicraft

PI wall shelf - 1 shelf - Dimensions (cm)



Ethnicraft

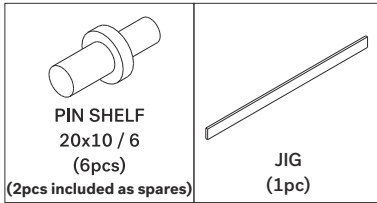
PI wall shelf - 1 shelf - Dimensions (inches)



## 29792 POLISHED IMPERFECT WALL RACK - 1 SHELF ASSEMBLY INSTRUCTIONS FOR WALL RACK INSTALLATION

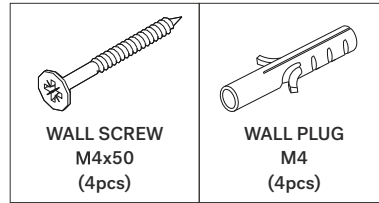


### HARDWARE ENCLOSED



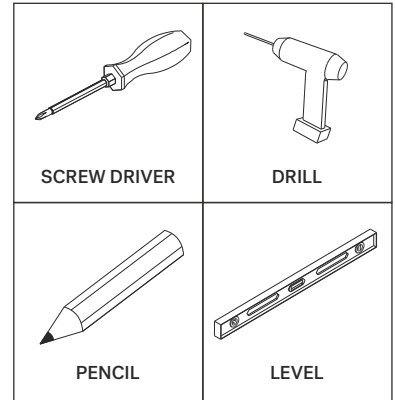
### HARDWARE REQUIRED

(Not included in package)

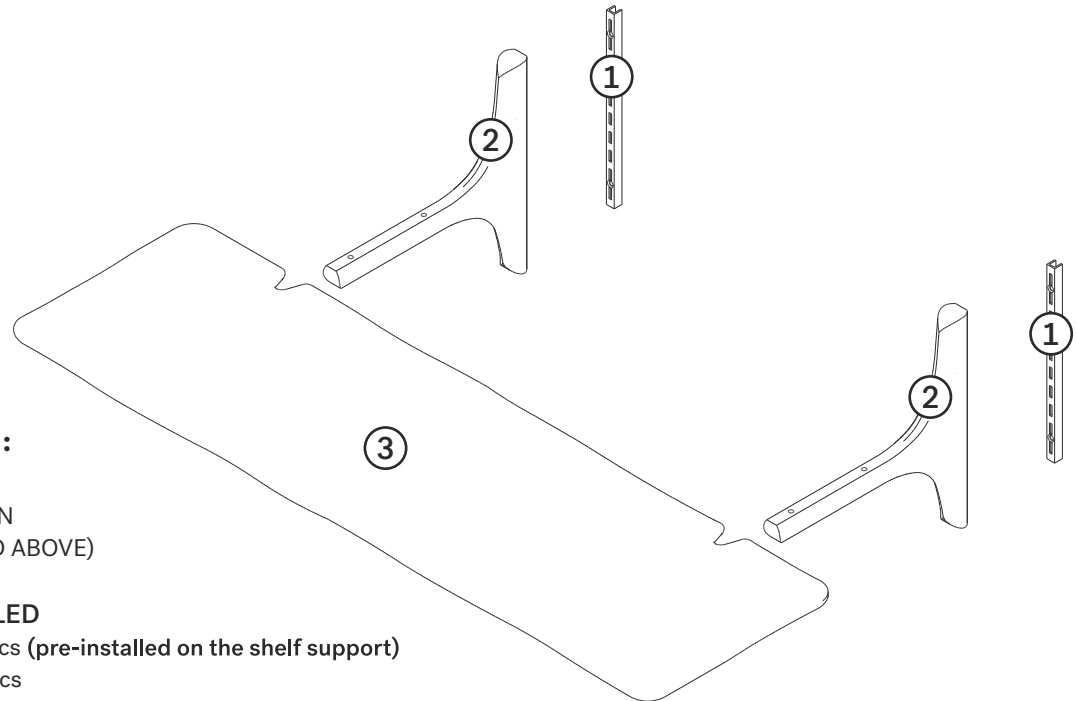


### TOOLS REQUIRED

(Not included in package)



**AS WALL MATERIALS VARY, SCREWS FOR FIXING TO WALL ARE NOT INCLUDED. FOR ADVICE ON SUITABLE SCREW SYSTEMS, CONTACT YOUR LOCAL SPECIALISED DEALER.**



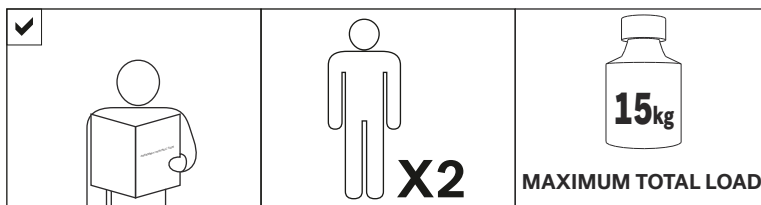
### IN YOUR PACKAGE :

ASSEMBLY INSTRUCTION  
HARDWARES (AS LISTED ABOVE)

### PARTS TO BE INSTALLED

1. METAL BRACKETS 2 pcs (pre-installed on the shelf support)
2. SHELF SUPPORTS 2 pcs
3. SHELF 1 pc

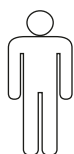
### NOTICE



### SYMBOLS



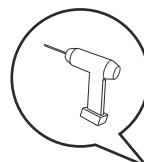
DIRECTION



NUMBER OF PERSONS NEEDED



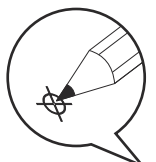
USE HAND



USE DRILL



USE SCREWDRIVER TO TIGHTEN

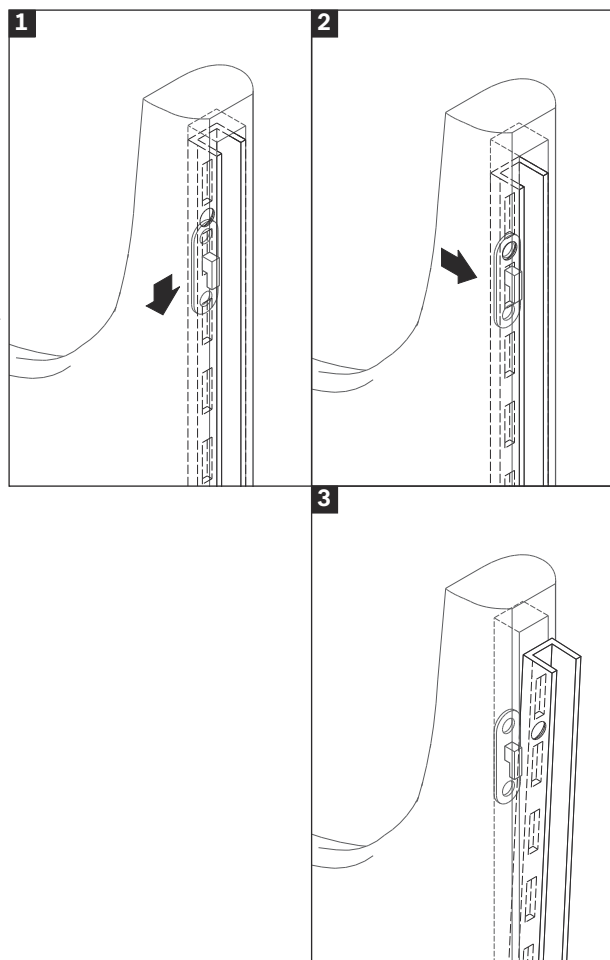
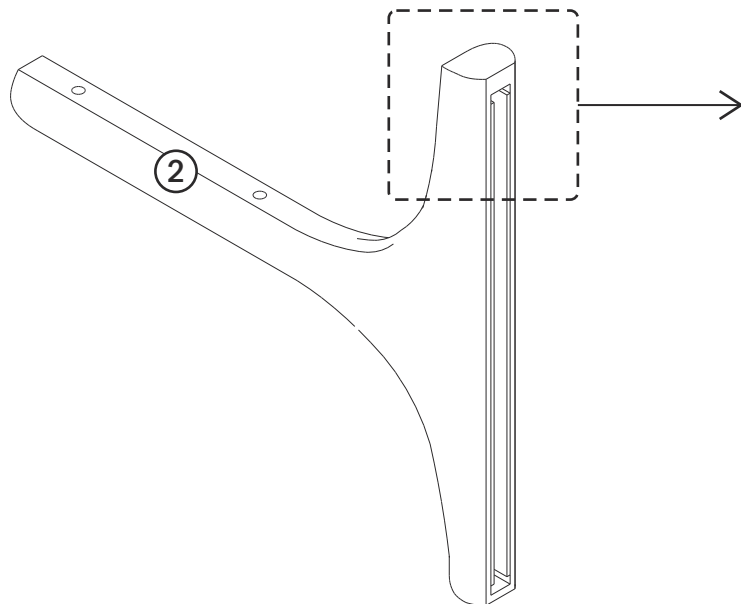


USE PENCIL

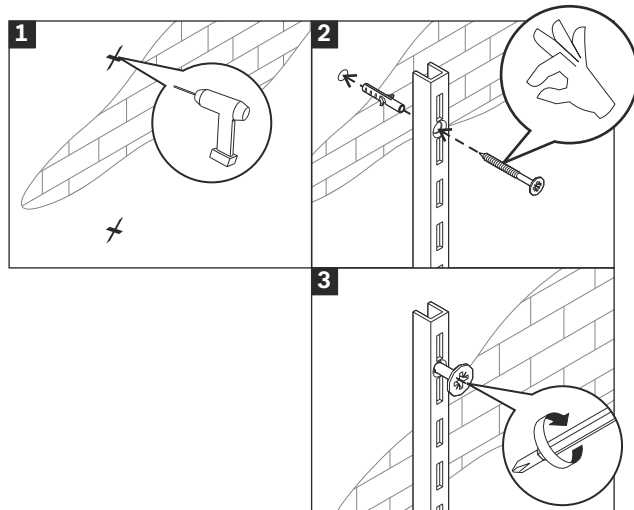
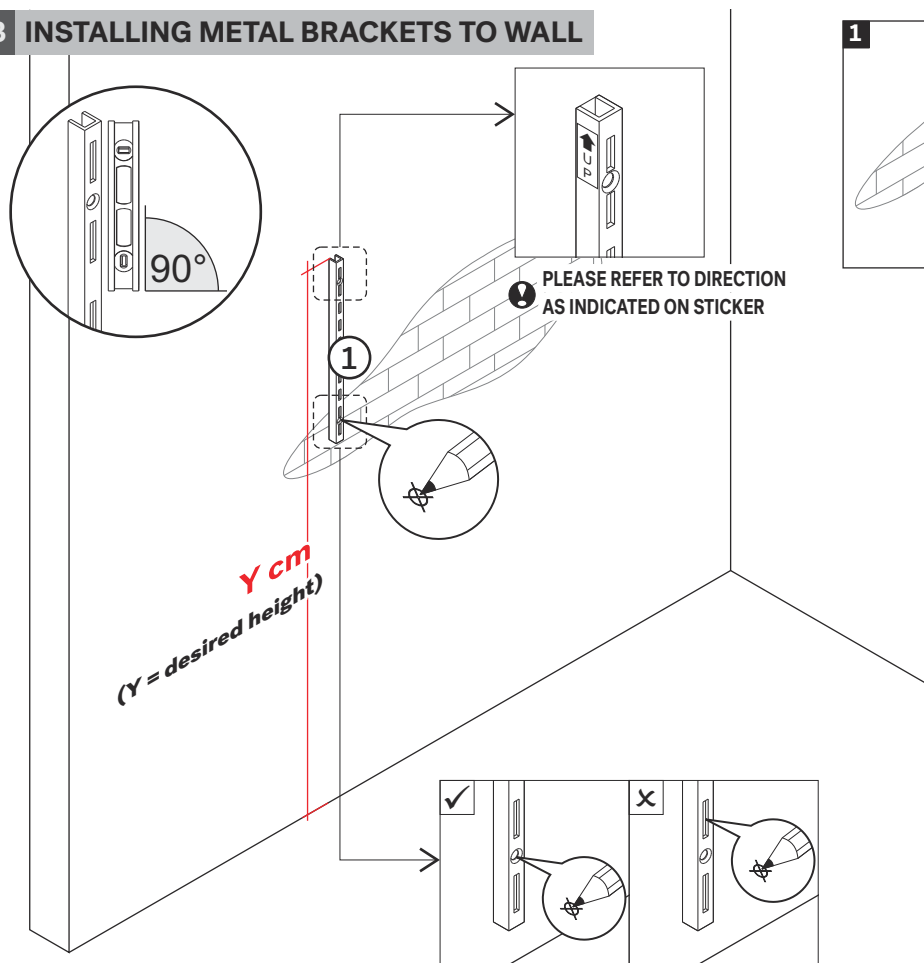
## 29792 POLISHED IMPERFECT WALL RACK - 1 SHELF ASSEMBLY INSTRUCTIONS FOR WALL RACK INSTALLATION



### A RELEASING METAL BRACKETS



### B INSTALLING METAL BRACKETS TO WALL

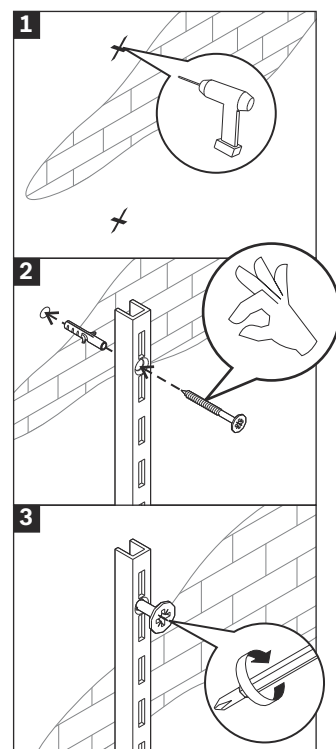
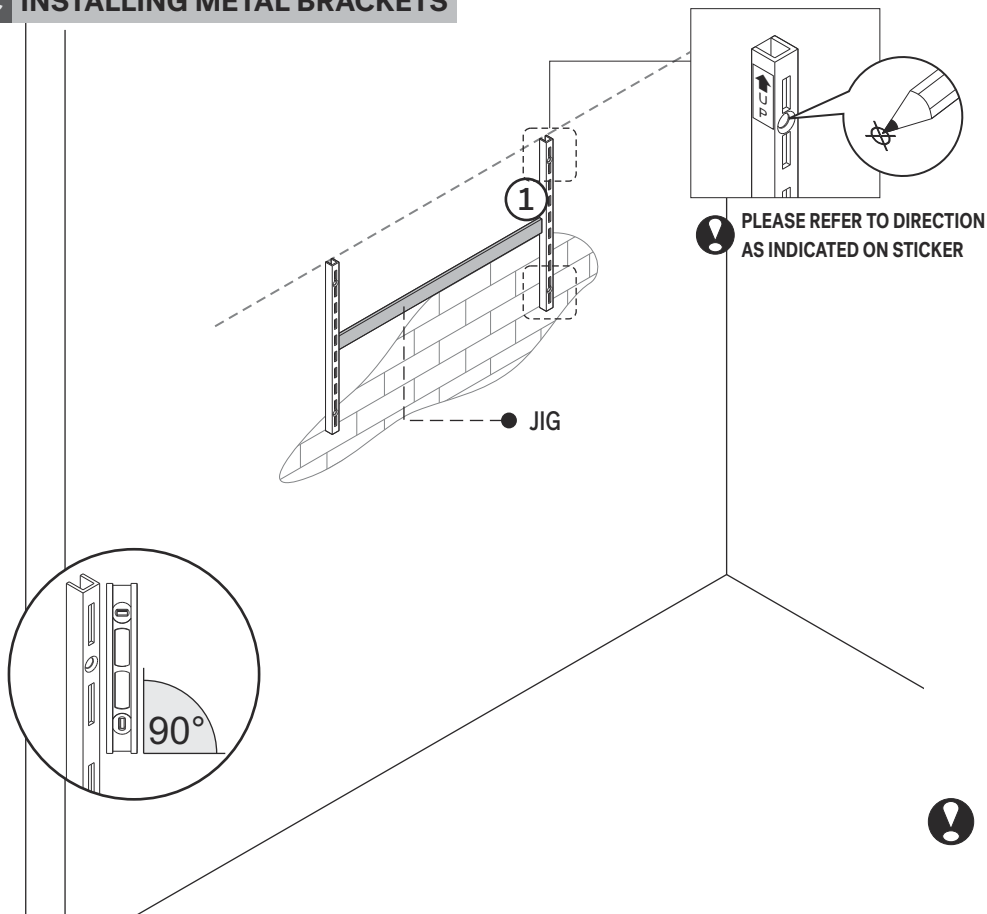


- ILLUSTRATION DEMONSTRATES BRICK WALL
- USING A PENCIL, LIGHTLY MARK WALL IN RELATION TO ROUND HOLES ON BRACKET
- USE LEVEL FOR ALIGNMENT
- USE WALL PLUG (x2)
- USE SCREWS M4x50 (x2)
- TIGHTEN FULLY

## 29792 POLISHED IMPERFECT WALL RACK - 1 SHELF ASSEMBLY INSTRUCTIONS FOR WALL RACK INSTALLATION

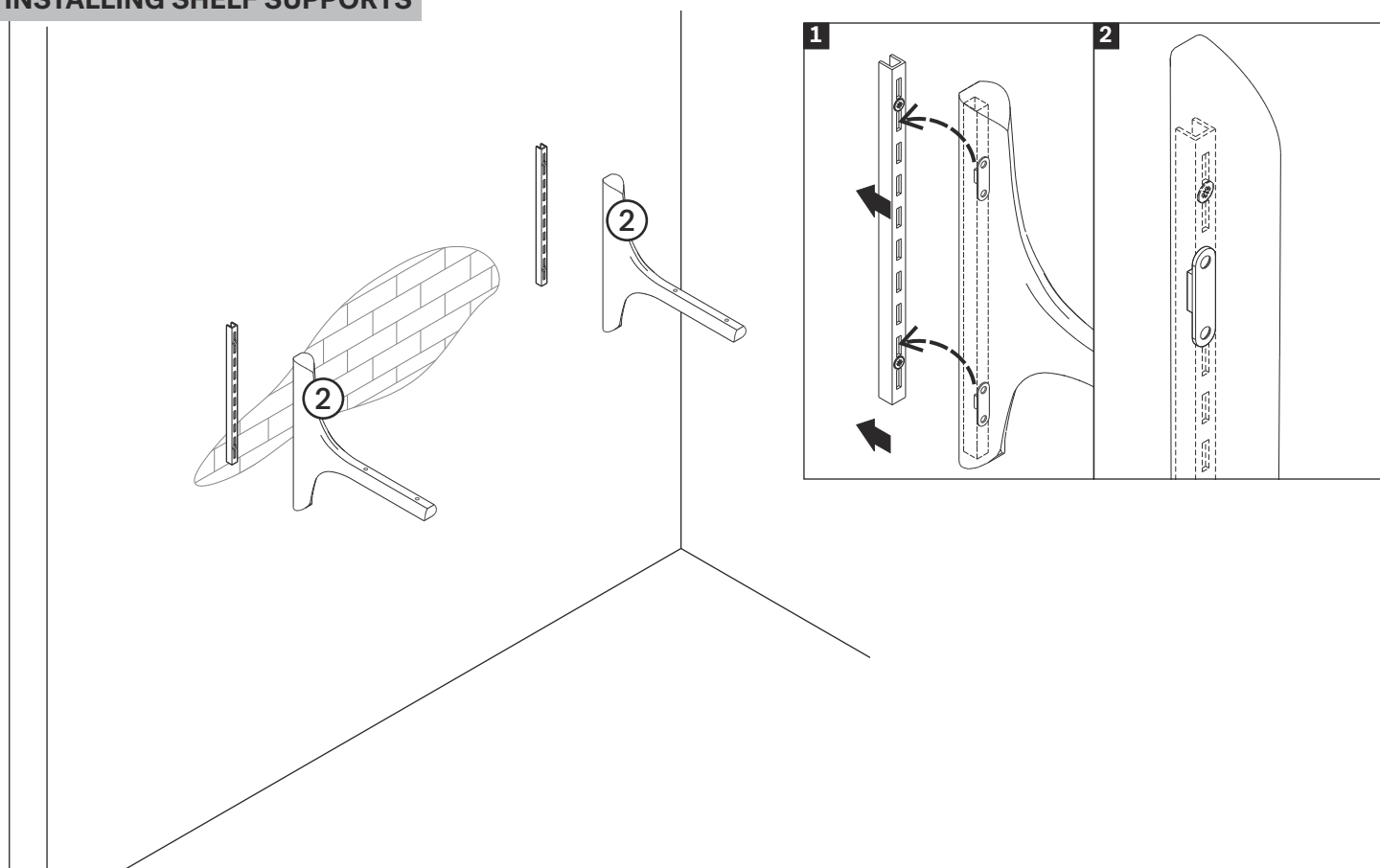


### C INSTALLING METAL BRACKETS



- USE JIG TO GUIDE POSITIONING
- USE GUIDE LINES TO ENSURE VERTICAL POSITIONING
- USE LEVEL FOR ALIGNMENT
- CAREFULLY ENSURE EVEN HEIGHT OF ALL BRACKETS
- USE WALL PLUGS (x2)
- USE SCREWS M4x50 (x2)
- TIGHTEN FULLY

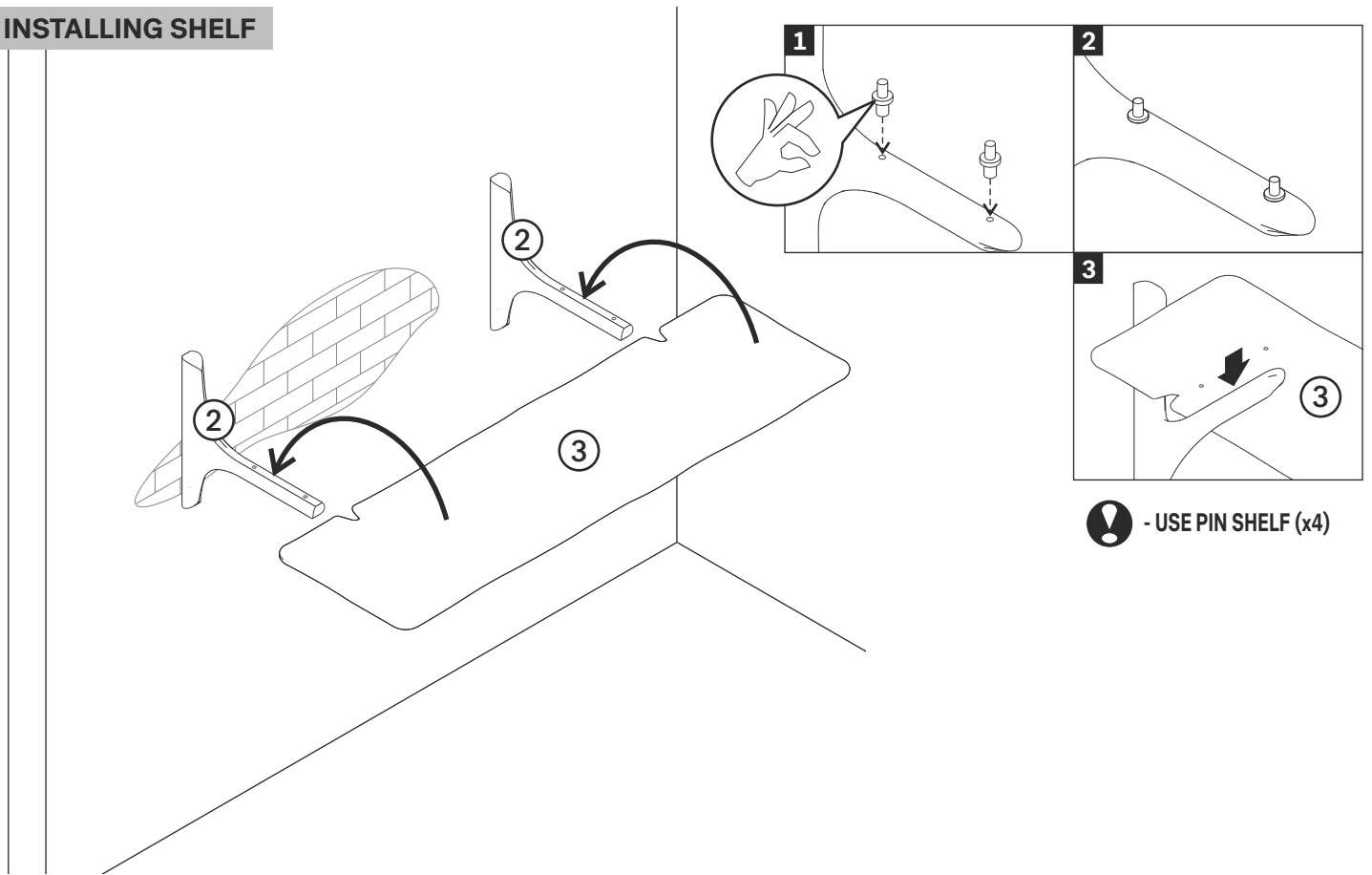
### D INSTALLING SHELF SUPPORTS



## 29792 POLISHED IMPERFECT WALL RACK - 1 SHELF ASSEMBLY INSTRUCTIONS FOR WALL RACK INSTALLATION



### E INSTALLING SHELF



### F FINISH

