

Solana Table Series

All Solana Coffee and End Tables are made of solid wood. Each table has its own distinct grain pattern and coloring. These variations make each piece natural and unique. We recommend cleaning all wood components with a damp, soft cloth.

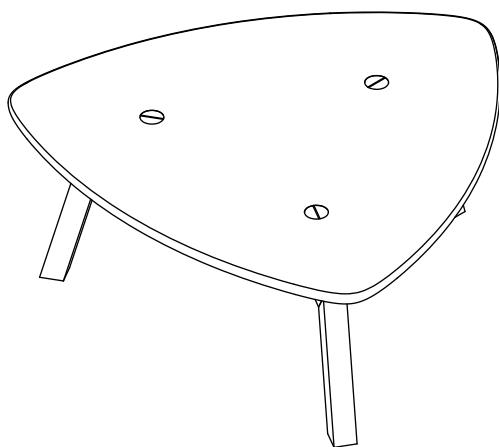
Do not use abrasive cleaning products.

Preventative Measures:

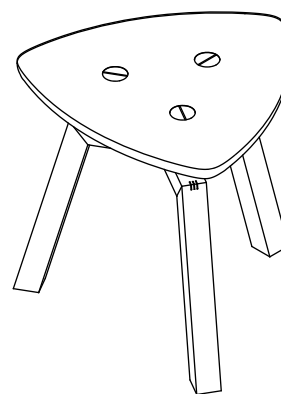
Make sure the Solana Table is not exposed to direct sunlight for a long period of time. Do not put any extremely hot or cold food items/beverages in direct contact with the wood surface as this may cause marking or damage to the finish. Spills must be cleaned immediately or this may cause discoloration to the wood and may cause permanent damage.

Shrinking, Cracking, Warping:

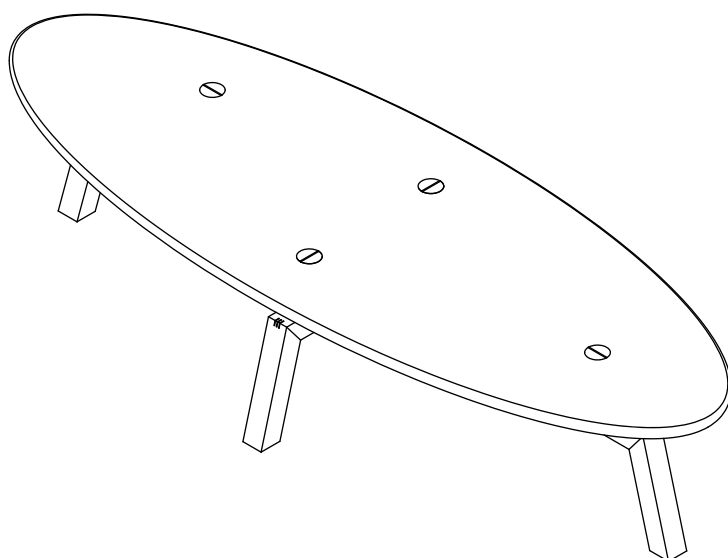
Keeping the humidity at an even level throughout the year will prolong the life of your table. Wood is very susceptible to changes in the humidity of its environment, which causes it to expand and shrink. Climate control will minimize this. A level of 40%-55% humidity with an ideal temperature of 70-72 degrees Fahrenheit should be maintained.



Solana Triangular Coffee Table



Solana Triangular End Table



Solana Oval Coffee Table