

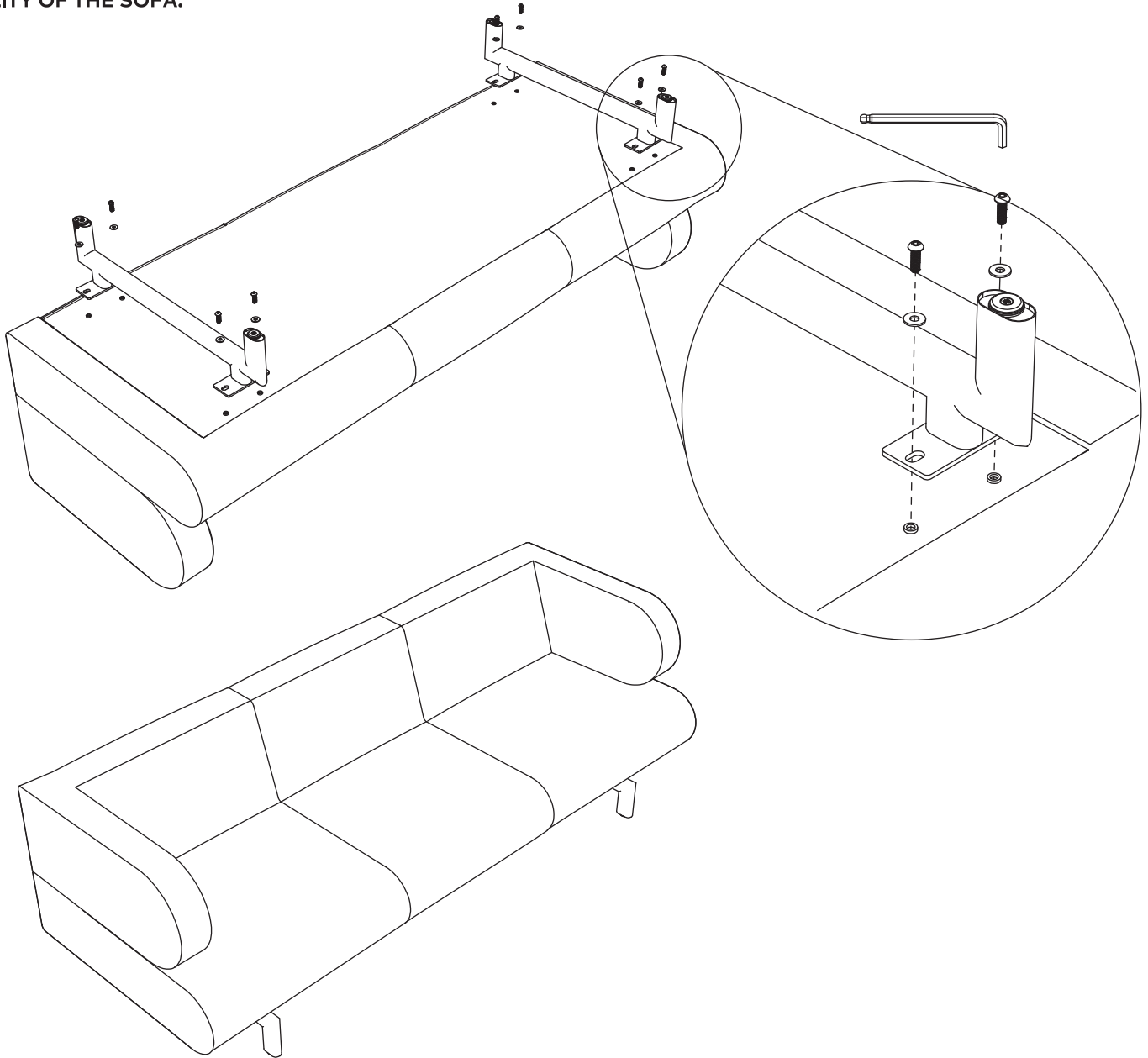
Soren Sofa

ASSEMBLY INSTRUCTIONS

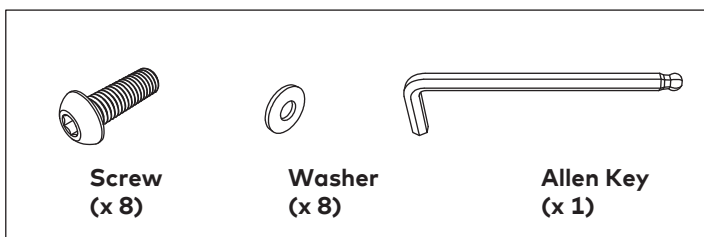
KEEP ALL PACKAGING MATERIALS UNTIL YOU HAVE VERIFIED ALL COMPONENTS AND PARTS.

1. Turn sofa over and align the leg fastening plates with the threaded inserts in the underside of the sofa.
2. Using the provided screws and washers, fasten legs to underside of sofa.

DEPENDING ON USE, IT MAY BE NECESSARY TO TIGHTEN THE LEG BOLTS PERIODICALLY TO MAXIMIZE THE STABILITY OF THE SOFA.



Assembled Sofa

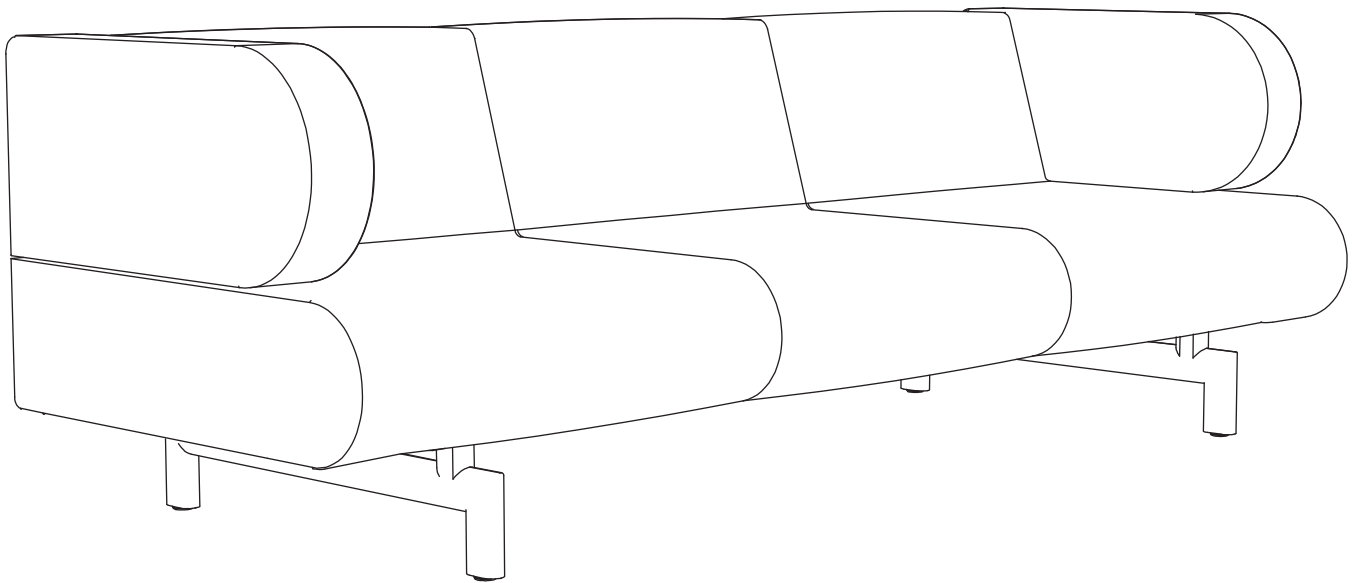


**Modern
furniture
made
simple.**

Soren Sofa

To help maintain the appearance of this unique sofa, we recommend cleaning the steel legs a damp, soft cloth. Fabric can be spot cleaned with a gentle soap and water, or carefully vacuumed.

Do not use abrasive cleaning products.



Modern
furniture
made
simple.